

Please be sure to read the enclosed Shark® Owner's Guide prior to using your unit.

Shark® Navigator™ Pet Pro

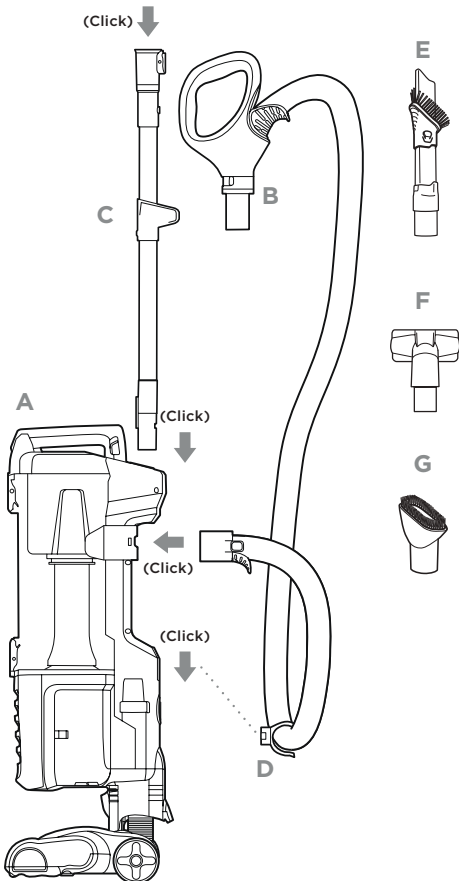
ZERO-M™
CLEANER HEAD

QUICK START GUIDE

WHAT'S INSIDE

- A Vacuum
- B Handle & Hose
- C Wand
- D Hose Holder
- E Duster Crevice Tool
- F Upholstery Tool
- F Dusting Brush

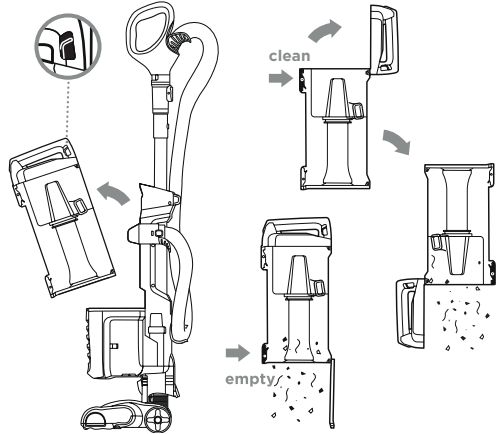
ASSEMBLY



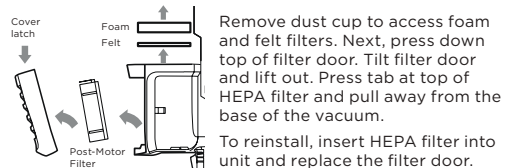
NOTE: For proper operation, ensure all parts are firmly **CLICKED** into place.

EMPTYING THE DUST CUP

Empty the dust cup after each use.



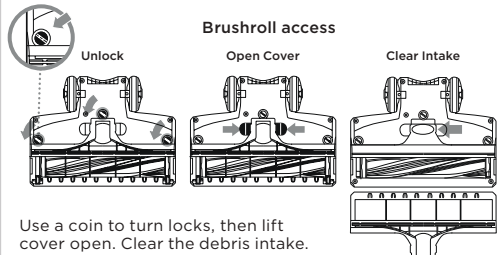
MAINTENANCE



Remove dust cup to access foam and felt filters. Next, press down top of filter door. Tilt filter door and lift out. Press tab at top of HEPA filter and pull away from the base of the vacuum.

To reinstall, insert HEPA filter into unit and replace the filter door.

Wash filters every 3 months to keep the suction strong. Rinse filters with water only and allow to air-dry completely. Tap loose dirt from foam filters as needed between washes.



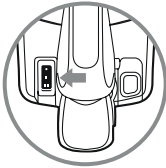
Use a coin to turn locks, then lift cover open. Clear the debris intake.

Shark's Zero-M™ self-cleaning brushroll delivers non-stop hair removal. Remove any blockages or objects stuck on or around the brushroll.

If any hair is wrapped around brushroll, extending cleaning time will help it clear.

2 WAYS TO CLEAN

FLOOR CLEANING

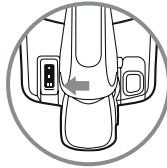


1

HARD FLOOR

Press switch to I for hard floor surfaces.

OR



2

CARPET

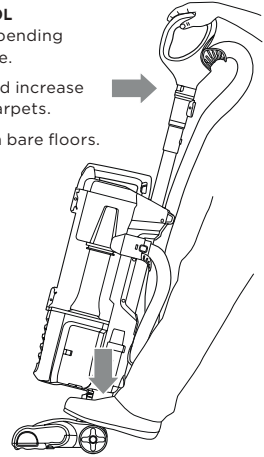
Press switch to II for low and high pile carpet cleaning.

SUCTION CONTROL

Adjust your suction depending on your floor type.

MIN: to reduce suction and increase maneuverability on carpets.

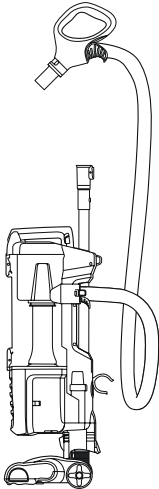
MAX: to increase suction on bare floors.



3

To engage brushroll, step on floor nozzle and tilt handle back.

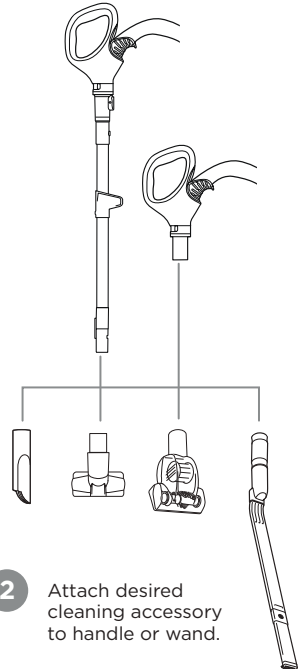
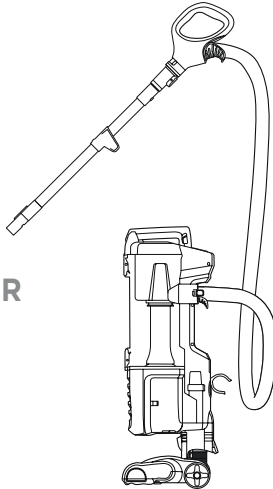
ABOVE-FLOOR CLEANING



1

To clean above-floor areas, remove the handle from the wand. For even more reach, remove the wand from the pod.

OR



2

Attach desired cleaning accessory to handle or wand.

For additional parts and accessories visit sharkaccessories.com

For questions or to register your product, contact us at 1-800-798-7398 or visit us online at sharkclean.com



@sharkcleaning