

Shark ION™ ROBOT

EASE OF A ROBOT. PERFORMANCE OF A SHARK.™

CONGRATULATIONS ON YOUR NEW SHARK ROBOT

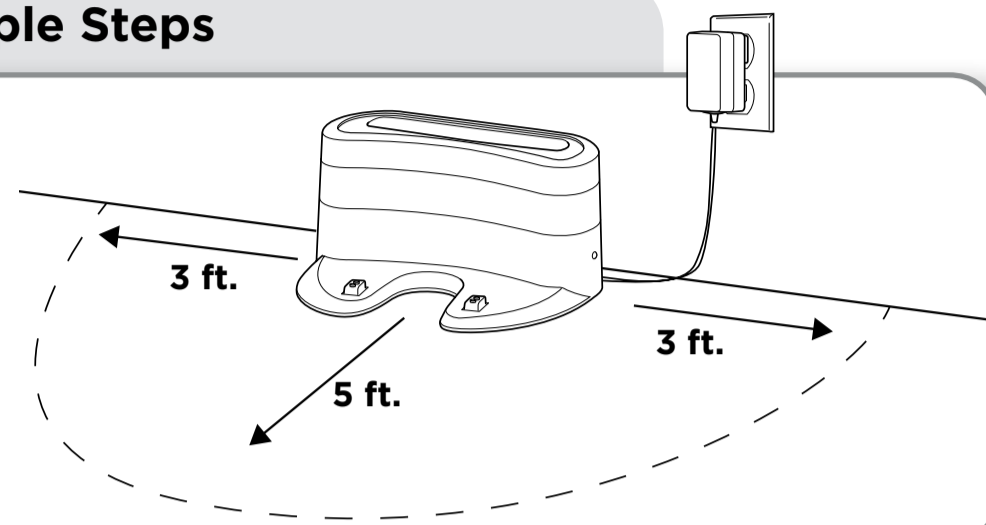
Getting Started is Easy - Follow These Simple Steps

STEP 1

SET UP YOUR CHARGING DOCK:

Place charging dock on a level surface with its **back against a wall**. Plug dock into a power outlet. The dock indicator light will turn green when powered on.

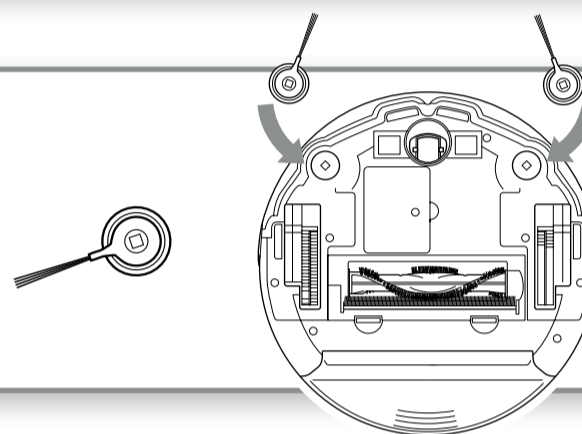
NOTE: Place the dock in a central, open location so your robot can find it easily.



STEP 2

INSTALL THE SIDE BRUSHES

Snap the 2 included side brushes onto the posts on the bottom of the robot.

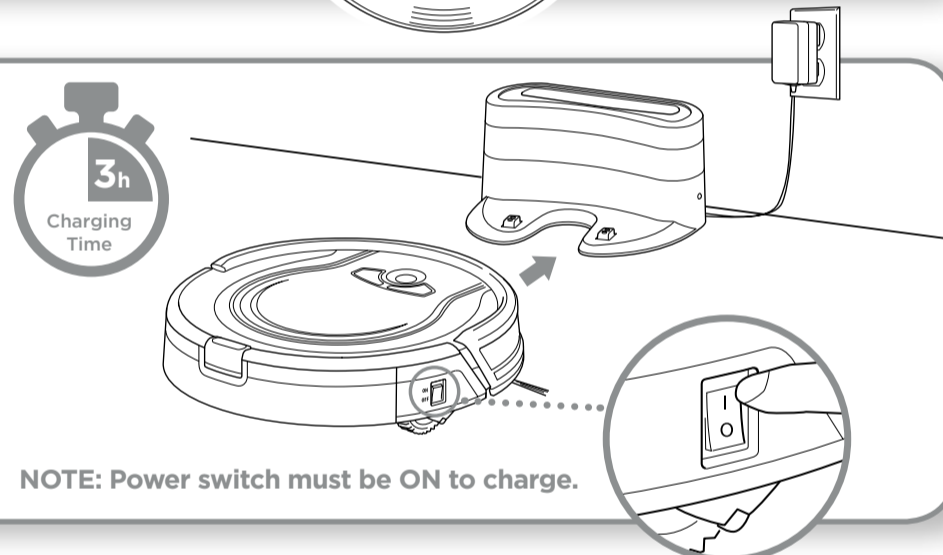


STEP 3

CHARGE YOUR ROBOT

Turn the power switch on and place your robot on the dock.

When all 3 indicator lights illuminate steadily in blue, charging is complete.



STEP 4

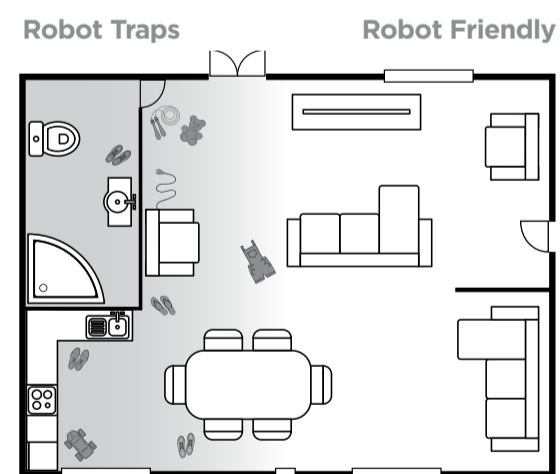
PREP YOUR HOME FOR CLEANING

Remove obstacles from the floor like power cords, clothes, toys, and low-hanging drapes.

Use the included BotBoundary™ strips to create “no-go” zones.

See the **BOTBOUNDARY USAGE GUIDE** included with your BotBoundary strips for more information.

See the **TIPS AND TRICKS FOR GREAT PERFORMANCE GUIDE** to discover how to get the best from your robot.



STEP 5

DOWNLOAD THE SHARK ROBOT APP

Set up a schedule, start a cleaning from anywhere, and more. Search for Shark Robot in the app store and download the app to your iPhone™ or Android™

• Tips, Tricks, and FAQs • Troubleshooting • Voice control setup for the Google Assistant and Amazon Alexa



Don't forget to register your robot at registeryourshark.com

For assistance, contact us at 800-798-7398 or visit us online at sharkclean.com

©2019 SharkNinja Operating LLC. SHARK is a registered trademark of SharkNinja Operating LLC. BOTBOUNDARY, EASE OF A ROBOT. PERFORMANCE OF A SHARK., and SHARK ION are trademarks of SharkNinja Operating LLC. APPLE, the Apple logo and iPhone are trademarks of Apple Inc., registered in the U.S. and other countries. APP STORE is a service mark of Apple Inc., registered in the U.S. and other countries. GOOGLE PLAY, the Google Play logo, and ANDROID are trademarks of GOOGLE LLC.



@sharkcleaning