

Shark

APEX®

Corded Stick Vac

Corded Stick Vac

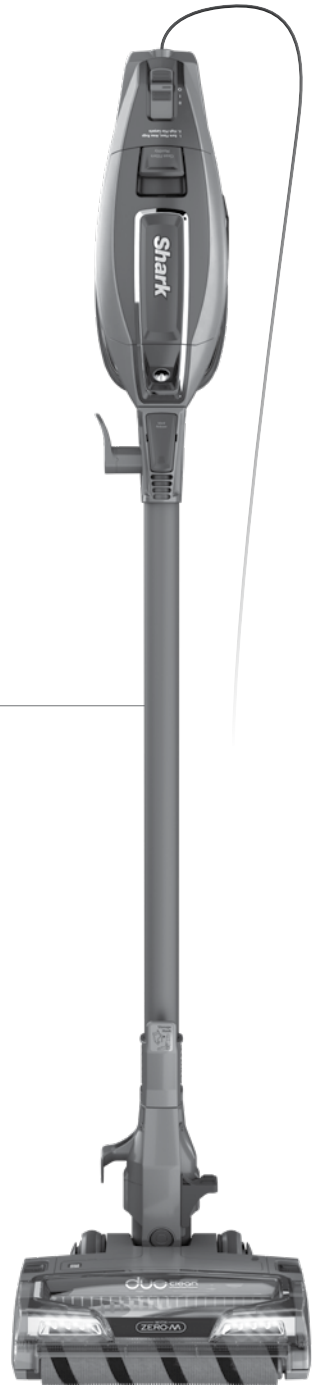
Corded Stick Vac

ZS360 Series

OWNER'S GUIDE

GUIDE DU PROPRIÉTAIRE

GUÍA DEL PROPIETARIO



duo clean®

ZERO·M®

IMPORTANT SAFETY INSTRUCTIONS

HOUSEHOLD USE ONLY

To reduce the risk of electric shock, this vacuum cleaner has a polarized plug (one blade is wider than the other). As a safety feature, this plug will fit into a polarized outlet only one way. If the plug does not fit fully into the outlet, reverse the plug. If it still does not fit, contact a qualified electrician. **DO NOT force into outlet or try to modify to fit.**

⚠ WARNING

TO REDUCE THE RISK OF FIRE, ELECTRIC SHOCK OR INJURY:

GENERAL WARNINGS

1. Your vacuum cleaner may consist of a motorized nozzle, wand, hose, and/or vacuum pod. This device contains electrical connections, electrical wiring, and moving parts that potentially present risk to the user.
2. Use only identical replacement parts.
3. Carefully observe and follow the instructions provided below to avoid improper use of the appliance. **DO NOT** use the vacuum for any purpose other than those described in this manual.
4. Before use, carefully inspect all parts for any damage. **DO NOT** use if any parts are damaged.
5. The use of an extension cord is **NOT** recommended.
6. This vacuum cleaner contains no serviceable parts.

USE WARNINGS

7. **DO NOT** allow the appliance to be used by children. Close supervision is necessary when used near children. This is not a toy.
8. Always turn off the vacuum cleaner before connecting or disconnecting any motorized nozzles or other accessories.
9. **DO NOT** handle plug or vacuum cleaner with wet hands.
10. **DO NOT** use without filters in place.

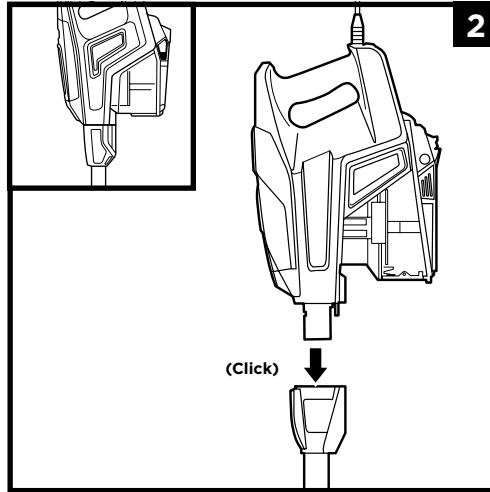
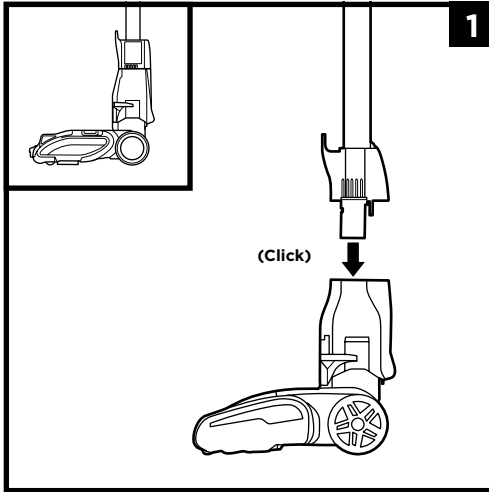
11. Only use Shark® branded filters and accessories. Failure to do so will also void the warranty.
12. **DO NOT** damage the power cord:
 - a) **DO NOT** pull or carry vacuum cleaner by the cord or use the cord as a handle.
 - b) **DO NOT** unplug by pulling on cord. Grasp the plug, not the cord.
 - c) **DO NOT** run the vacuum cleaner over the power cord, close a door on the cord, pull the cord around sharp corners, or leave the cord near heated surfaces.
13. **DO NOT** put any objects into nozzle or accessory openings. **DO NOT** use with any opening blocked; keep free of dust, lint, hair, and anything that may reduce airflow.
14. **DO NOT** use if nozzle or accessory airflow is restricted. If the air paths or the motorized floor nozzle become blocked, turn the vacuum cleaner off and unplug from electrical outlet. Remove all obstructions before you plug in and turn on the unit again.
15. Keep nozzle and all vacuum openings away from hair, face, fingers, uncovered feet, or loose clothing.
16. **DO NOT** use if vacuum cleaner is not working as it should, or has been dropped, damaged, left outdoors, or dropped into water.

SAVE THESE INSTRUCTIONS

READ ALL INSTRUCTIONS BEFORE USE

17. Use extra care when cleaning on stairs.
18. **DO NOT** leave the vacuum cleaner unattended while plugged in.
19. When powered on, keep the vacuum cleaner moving over the carpet surface at all times to avoid damaging the carpet fibers.
20. **DO NOT** place vacuum cleaner on unstable surfaces such as chairs or tables.
21. Your Shark® vacuum may not be designed to stand up on its own. When taking a break from cleaning, you may need to lean it against furniture or a wall, or lay it flat on the floor. Using the vacuum for an application where the unit lacks stability may result in personal injury.
22. **DO NOT** use to pick up:
 - a) Liquids
 - b) Large objects
 - c) Hard or sharp objects (glass, nails, screws, or coins)
 - d) Large quantities of dust (drywall dust, fireplace ash, or embers). **DO NOT** use as an attachment to power tools for dust collection.
 - e) Smoking or burning objects (hot coals, cigarette butts, or matches)
 - f) Flammable or combustible materials (lighter fluid, gasoline, or kerosene)
 - g) Toxic materials (chlorine bleach, ammonia, or drain cleaner)
23. **DO NOT** use in the following areas:
 - a) Poorly lit areas
 - b) Wet or damp surfaces
 - c) Outdoor areas
 - d) Spaces that are enclosed and may contain explosive or toxic fumes or vapors (lighter fluid, gasoline, kerosene, paint, paint thinners, mothproofing substances, or flammable dust)
24. Turn off all controls before plugging in or unplugging the vacuum.
25. Unplug from electrical outlet when not in use and before any maintenance or cleaning.
26. Hand wash with water only. Washing with cleaning chemicals could damage the unit.
27. During cleaning or routine maintenance, **DO NOT** cut anything other than hair, fibers, or string wrapped around the brushroll.
28. Allow all filters to air-dry completely before replacing in the vacuum to prevent liquid from being drawn into electric parts.
29. Make sure the dust cup and all filters are in place after routine maintenance.
30. If provided, secure the power cord around the two cord hooks during storage.

ASSEMBLY

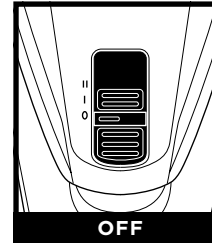


1. Insert **Wand** into **Floor Nozzle**.

2. Insert **Handheld Vacuum** into wand.

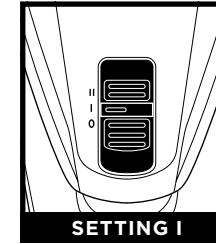
Ensure all connections click securely into place.

SETTINGS



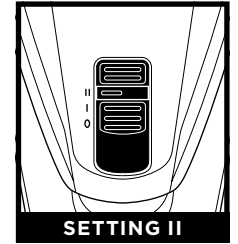
OFF

Slide switch to the bottom to turn off power. To begin vacuuming, slide switch to the appropriate setting.



SETTING I

Bare Floor/Small Area Rugs
The brushrolls spin slowly to clean bare floors and small area rugs.

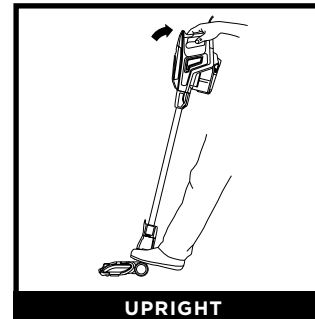


SETTING II

Carpet
The brushrolls spin faster to pick up debris below the surface of your carpets.

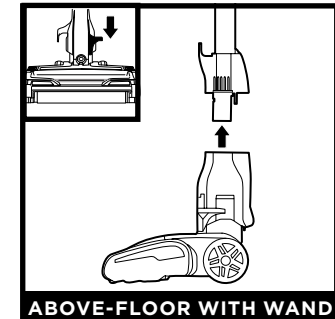
NOTE: For deep cleaning per ASTM F 608 (embedded dirt in carpets) please use setting II, Carpet.
NOTE: Select Carpet for stuck-on dust and debris.

CLEANING MODES



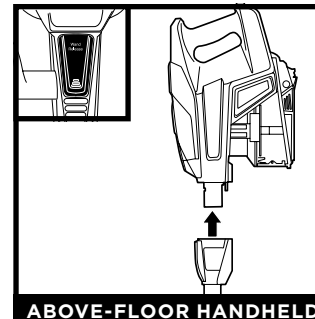
UPRIGHT

To clean floors, place foot on floor nozzle and tilt handheld vacuum back.



ABOVE-FLOOR WITH WAND

Detach the wand for more reach to clean baseboards, ceiling fans, window sills, and other hard-to-access areas. Stand the vacuum upright, then step on the foot pedal on the left side of the floor nozzle and pull the wand up to disconnect it.



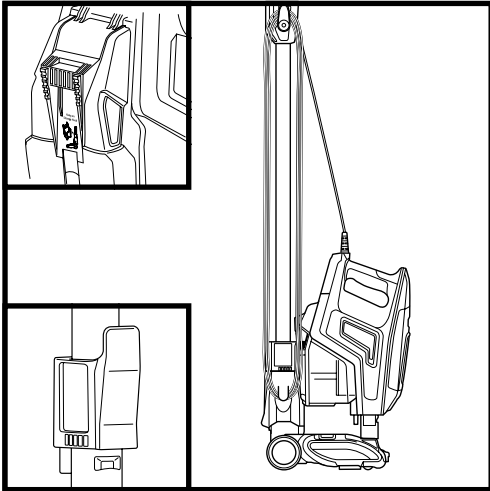
ABOVE-FLOOR HANDHELD

Press the **Wand Release** button to lift the handheld vacuum off the wand. Great for cleaning stairs and furniture.

NOTE: All accessories are compatible with both the wand and the handheld vacuum.

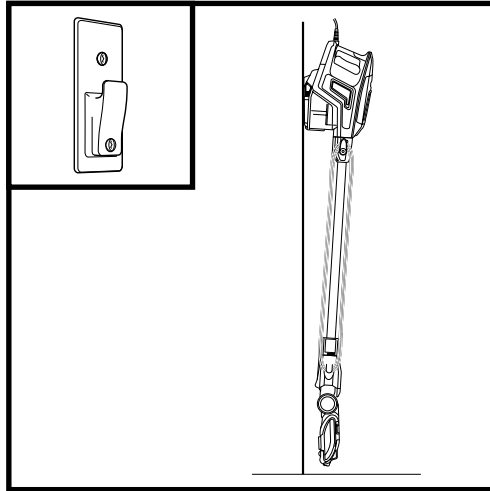
STORAGE

ONBOARD HOOK



Press the wand release button on the top of the wand to detach the handheld vacuum. Align the catch on the bottom of the handheld vacuum with the storage hook on the wand. Slide the handheld vacuum down so the catch hangs from the storage hook. Wrap the cord around the two cord hooks.

WALL MOUNT

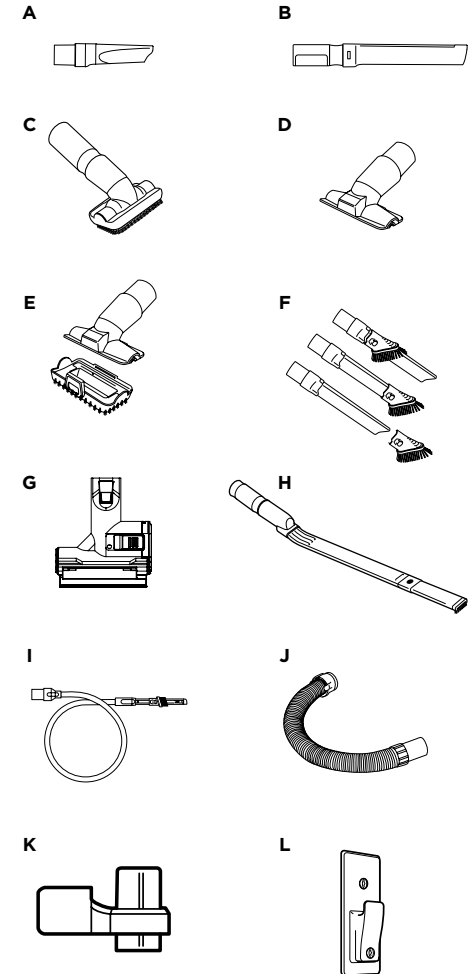


For convenient storage above the floor, a wall mount is available for purchase on sharkaccessories.com. It comes with hardware and an instruction sheet with a mounting template.

AVAILABLE ACCESSORIES

NOTE: Not all accessories come with all units. Please see the enclosed Quick Start Guide for your unit's configuration. To order additional accessories, visit sharkaccessories.com.

- A 5" Crevice Tool**
This slender 5" tool can access corners, baseboards, tight spaces, and ceilings.
- B 12" Crevice Tool**
Clean in tight spaces or reach baseboards and ceilings with this slim crevice tool.
- C Dusting Brush**
Dust shelves, baseboards, window and door frames, and much more. Turn the brush head to adjust the angle to the surface you're cleaning.
- D Pet/Upholstery Tool**
Perfect for grabbing pet hair and lint from furniture and other upholstered surfaces.
- E Pet Multi-Tool**
A single convertible tool for cleaning tough pet messes two ways: first, a stiff bristle brush for cleaning stuck-on debris. Then take off the bristles to reveal an upholstery tool for removing stubborn pet hair.
- F Duster Crevice Tool**
Two cleaning tools in one. The crevice tool gives you extended cleaning reach for small spaces, while the dusting brush cleans a multitude of surfaces.
- G Mini Motorized Brush**
Powered by a motor, this small brush removes the clingiest pet hair and extracts dirt, dust, dander, and allergens from deep inside pillows, upholstery, and carpets.
- H Under-Appliance Wand**
Clean under and behind hard-to-move appliances and furniture with this adjustable 36" tool. Flip the extension piece over to clean the underside of appliances.
- I Precision Duster**
Flexible tube with micro-duster crevice tool on the end for cleaning around delicate objects and in difficult-to-reach spots like car interiors and computer keyboards.
- J Flexible Hose**
Stretch and flex this extension hose to clean around objects and get into hard-to-reach spaces. Attach the crevice tool or another accessory depending on what you are cleaning.
- K Onboard Storage Clip**
Removable clip attaches to the vacuum wand. Can hold up to two accessories at a time while cleaning or for storage.
- L Wall Mount**
Install the mount to hang your vacuum on the wall for convenient storage. Includes screws, anchors, and instruction sheet with mounting template for easy installation.

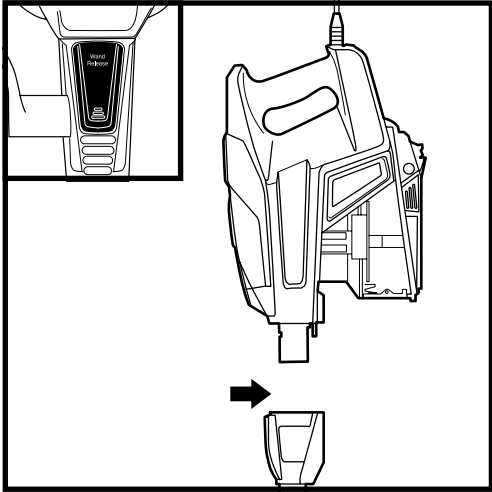


MAINTENANCE

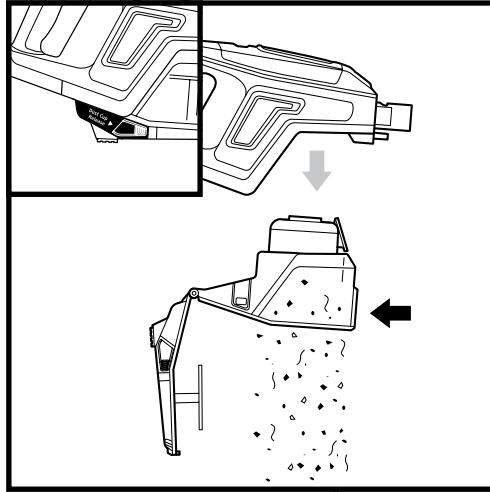
IMPORTANT: Unplug the vacuum before performing any maintenance.

EMPTYING THE DUST CUP

Empty the dust cup each time you vacuum and periodically during cleaning, when debris in the dust cup reaches the MAX fill line.

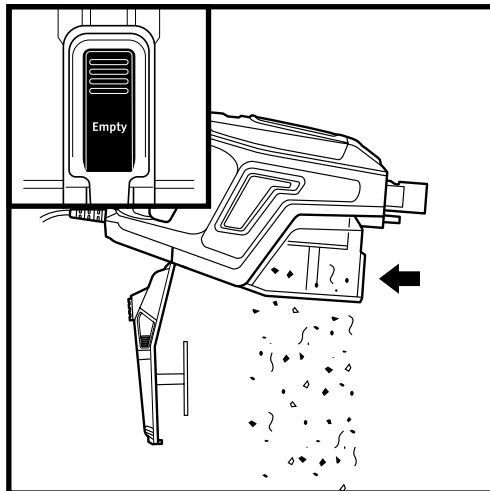


Press the wand release button and lift the handheld vacuum off the wand.



To remove the dust cup from the handheld vacuum, squeeze the two **Dust Cup Release** buttons at the same time and pull out the dust cup. Press the **Empty** button on the front of the dust cup.

OR



With the dust cup attached to the handheld vacuum, press the **Empty** button on the front of the dust cup.

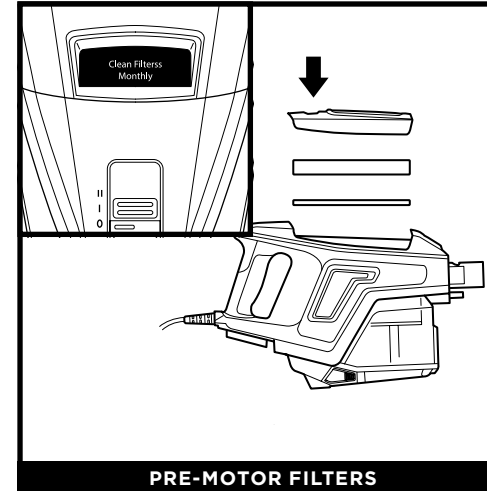
MAINTENANCE

IMPORTANT: Unplug the vacuum before performing any maintenance.

CLEANING FILTERS

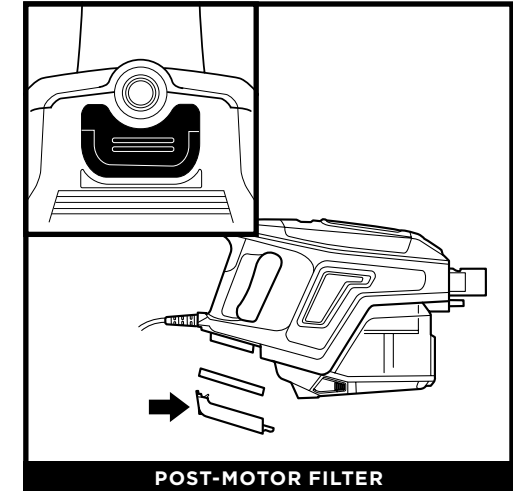
Perform regular maintenance on your filters to keep your vacuum's suction power optimal.

IMPORTANT: To prevent damage, rinse filters with water **ONLY**. **DO NOT** use soap. Allow filters to air-dry for at least 24 hours before reinstalling them to prevent liquid from being drawn into electric parts.



PRE-MOTOR FILTERS

The **Pre-Motor Filters** should be washed once a month.



POST-MOTOR FILTER

The **Post-Motor Filter** should be washed once every 9 months.

REPLACEMENT FILTERS

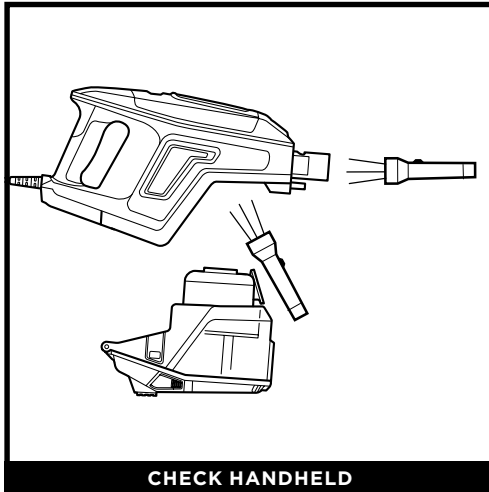
Replacement Pre-Motor Filter Kit
XPMFK320

Replacement Post-Motor Filter
XPSTFH380

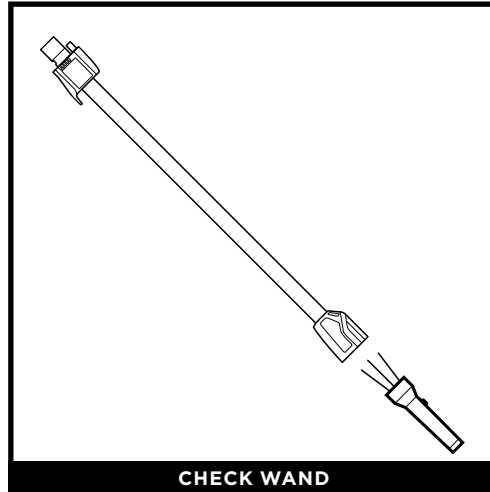
NOTE: The pre-motor filters should be replaced every 2.5 years. The post-motor filter should be replaced every 3 years.

MAINTENANCE

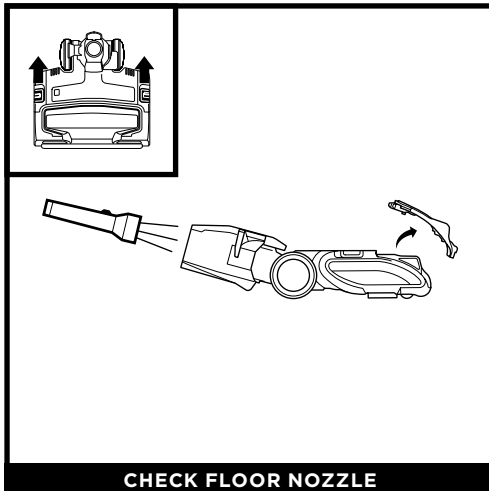
CHECKING FOR BLOCKAGES



Remove the wand from the handheld vacuum and check all dust cup intake openings.



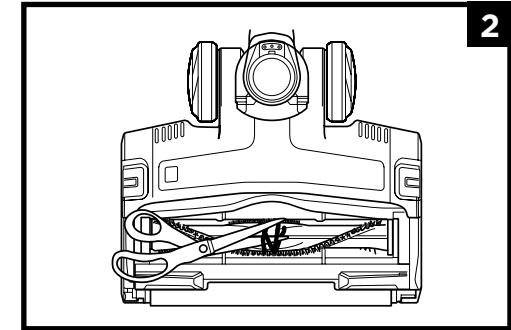
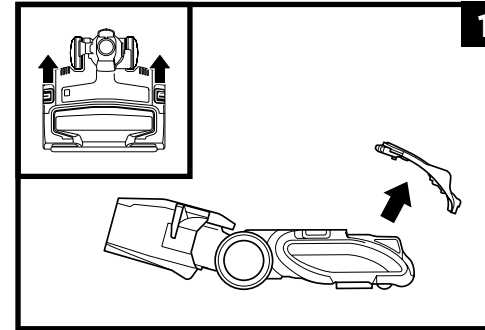
Detach the wand and check it for blockages.



Detach the wand. To open the brushroll garage, slide both release buttons on the floor nozzle away from you, towards the back of the nozzle, then lift off the lid. Tilt back the neck of the nozzle and check openings for blockages. To close the brushroll garage, insert the 3 tabs on top of lid into the 3 slots in the nozzle, then push down firmly on both sides of the lid until it clicks securely into place.

MAINTENANCE

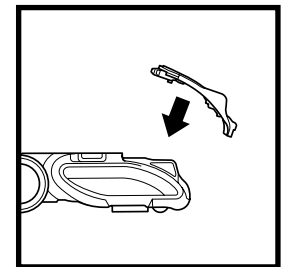
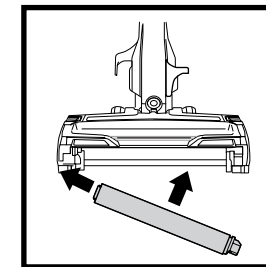
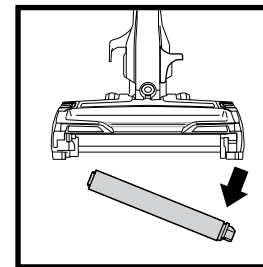
NOZZLE MAINTENANCE



CLEANING THE BRUSHROLLS

- 1 To open the brushroll garage, slide both release buttons on the floor nozzle away from you, towards the back of the nozzle, then lift off the lid.
- 2 Clear away any objects or debris.
- 3 To close the brushroll garage, insert the 3 tabs on top of lid into the 3 slots in the nozzle, then push down on both sides of lid until it clicks securely into place. **If Brushroll Indicator Light isn't green and headlights are flashing, check again that both sides of lid are locked in place.**

NOTE: If any hair is wrapped around the brushroll, continue cleaning, using **Carpet** mode on a bare floor surface, a low-pile carpet, or a small area rug. This will allow Zero-M technology to remove the hair wrap and send it to the dust cup. If some fibers remain wrapped around the brushroll after continued use, carefully remove them.



CLEANING THE SOFT ROLLER

- 1 To remove Soft Roller from nozzle, first open the brushroll garage, then pull the Soft Roller out by the tab.
- 2 Tap loose debris off the Soft Roller. Use a dry towel to wipe the Soft Roller clean, and to remove any debris caught in the teeth behind the Soft Roller.
- 3 Hand wash the Soft Roller as needed. Use only water, and let air-dry completely for at least 24 hours.
- 4 Reinsert the Soft Roller and close the brushroll garage by inserting the 3 tabs on top of the lid into the 3 slots in the nozzle. Then push down on both sides of the lid until it clicks securely into place. **If Brushroll Indicator Light isn't green and headlights are flashing, check again that both sides of the lid are locked in place.**

NOTE: With normal use, you may need to perform routine maintenance of your Soft Roller.

TROUBLESHOOTING

Vacuum is not picking up debris. No suction or light suction. (Refer to Maintenance section for more information.)

- Check filters to see if they need cleaning. Follow instructions for rinsing and completely air-drying the filters before reinserting in the vacuum.
- Dust cup may be full; empty dust cup.
- Check floor nozzle for blockages; clear blockages if required.
- Remove any string, carpet fibers, or hair that may be wrapped around the brushroll or Soft Roller.
- Ensure the brushroll garage is locked in place by pushing down on both sides of the lid until it clicks securely into place.

Vacuum lifts area rugs.

- Suction is powerful. Take care when vacuuming area rugs or rugs with delicately sewn edges.
- Turn off the unit to disengage the brushrolls. To restart, slide the power switch to setting I, Bare Floor/ Small Area Rugs.

Brushrolls do not spin.

- If the Brushroll Indicator Light turns red, immediately turn off and unplug the vacuum. Disconnect wand from floor nozzle and clear any blockages. Reconnect wand, plug in vacuum, and turn on power.
- If Brushroll Indicator Light on the floor nozzle is green, the blockage has been successfully cleared. If the light is still red, please contact Customer Service at 1-800-798-7398.

Vacuum turns off on its own or if the indicator light turns red.

This vacuum is equipped with a motor-protective thermostat so it will shut off if it overheats. Should this occur, perform the following steps to restart the motor-protective thermostat:

1. Turn vacuum off and unplug it.
2. Empty dust cup and clean filters (see Maintenance section).
3. Check for blockages in hose, accessories, and inlet openings.
4. Allow unit to cool for a minimum of 45 minutes.
5. Plug in vacuum and turn it on.

Shark | NINJA

FIVE (5) YEAR LIMITED WARRANTY

The Five (5) Year Limited Warranty applies to purchases made from authorized retailers of **SharkNinja Operating LLC**. Warranty coverage applies to the original owner and to the original product only and is not transferable.

SharkNinja warrants that the unit shall be free from defects in material and workmanship for a period of five (5) years from the date of purchase when it is used under normal household conditions and maintained according to the requirements outlined in the Owner's Guide, subject to the following conditions and exclusions:

What is covered by this warranty?

1. The original unit and/or non-wearable components deemed defective, in SharkNinja's sole discretion, will be repaired or replaced up to five (5) years from the original purchase date.
2. In the event a replacement unit is issued, the warranty coverage ends six (6) months following the receipt date of the replacement unit or the remainder of the existing warranty, whichever is later. SharkNinja reserves the right to replace the unit with one of equal or greater value.

What is not covered by this warranty?

1. Normal wear and tear of wearable parts (such as foam filters, HEPA filters, pads, etc.), which require regular maintenance and/or replacement to ensure the proper functioning of your unit, are not covered by this warranty. Replacement parts are available for purchase at **sharkaccessories.com**.
2. Any unit that has been tampered with or used for commercial purposes.
3. Damage caused by misuse (e.g., vacuuming up water or other liquids), abuse, negligent handling, failure to perform required maintenance (e.g., not cleaning the filters), or damage due to mishandling in transit.
4. Consequential and incidental damages.
5. Defects caused by repair persons not authorized by SharkNinja. These defects include damages caused in the process of shipping, altering, or repairing the SharkNinja product (or any of its parts) when the repair is performed by a repair person not authorized by SharkNinja.
6. Products purchased, used, or operated outside North America.

How to get service

If your appliance fails to operate properly while in use under normal household conditions within the warranty period, visit **sharkclean.com** for product care and maintenance self-help. Our Customer Service Specialists are also available at **1-800-798-7398** to assist with product support and warranty service options, including the possibility of upgrading to our VIP warranty service options for select product categories.

SharkNinja will cover the cost for the customer to send in the unit to us for repair or replacement. A fee of \$24.95 (subject to change) will be charged when SharkNinja ships the repaired or replacement unit.

How to initiate a warranty claim


You must call **1-800-798-7398** to initiate a warranty claim. You will need the receipt as proof of purchase. A Customer Service Specialist will provide you with return and packing instruction information.


How state law applies

This warranty gives you specific legal rights, and you also may have other rights that vary from state to state. Some states do not permit the exclusion or limitation of incidental or consequential damages, so the above may not apply to you.

NOTES

REGISTER YOUR PURCHASE

 registeryourshark.com

 Scan QR code using
mobile device



RECORD THIS INFORMATION

Model Number: _____

Date Code: _____

Date of Purchase: _____
(Keep receipt)

Store of Purchase: _____

TECHNICAL SPECIFICATIONS

Voltage: 120V, 60Hz

Watts: 600W

Amps: 5A

Benefits of registering your product and creating an account:

- Get easier, faster product support and access to warranty information
- Access troubleshooting and product care instructions
- Be among the first to know about exclusive product promotions

TIP: The model number is on the rating label behind the dust cup.

TIP: The date code is on one of the prongs of the power cord plug.

IMPORTANTES CONSIGNES DE SÉCURITÉ

USAGE DOMESTIQUE SEULEMENT

Pour réduire le risque de décharges électriques, cet aspirateur est muni d'une fiche polarisée (une lame est plus large que l'autre). Comme précaution, cette fiche s'insère dans une prise polarisée dans un seul sens. Si la fiche d'alimentation ne s'insère pas à fond dans la prise de courant, inversez alors le sens de la fiche. Si elle ne s'insère toujours pas, communiquez avec un électricien qualifié. **NE FORCEZ PAS** pour insérer la fiche dans la prise et ne tentez pas de la modifier.

⚠ AVERTISSEMENT

AFIN DE RÉDUIRE LES RISQUES D'INCENDIE, D'ÉLECTROCUTION OU DE BLESSURE :

AVERTISSEMENTS GÉNÉRAUX

1. Votre aspirateur pourrait être composé d'une buse motorisée, d'un tube, d'un tuyau et/ou d'un réceptacle. Cet appareil comporte des raccordements électriques, du filage électrique et des pièces amovibles pouvant exposer l'utilisateur à certains risques.
2. Utilisez uniquement des pièces de rechange identiques.
3. Respectez et suivez attentivement les instructions ci-dessous afin d'éviter tout usage inadéquat de l'appareil. **N'UTILISEZ PAS** l'aspirateur pour un usage autre que ceux décrits dans le présent manuel.
4. Avant d'utiliser l'appareil, inspectez soigneusement toutes les pièces afin de déceler tout dommage. **NE L'UTILISEZ PAS** s'il est endommagé.
5. L'utilisation d'une rallonge électrique **N'EST PAS** recommandée.
6. Cet aspirateur ne renferme aucune pièce qui peut être réparée.

AVERTISSEMENTS CONCERNANT L'UTILISATION

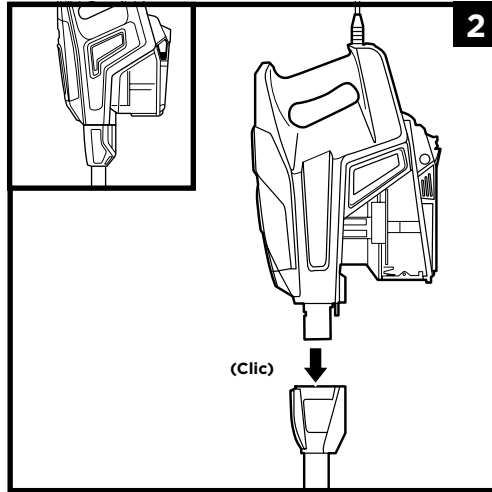
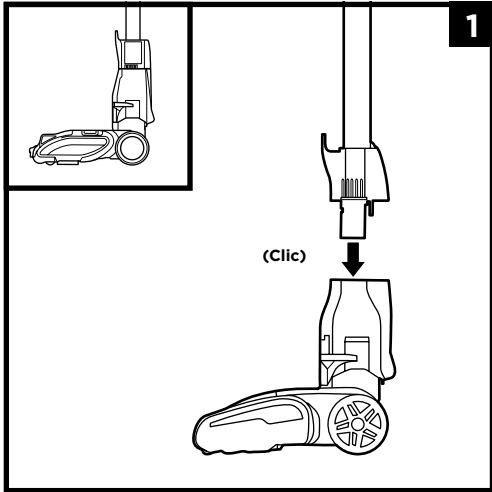
7. **NE LAISSEZ PAS** les enfants se servir de l'appareil. Une surveillance étroite est nécessaire lorsque l'appareil est utilisé en présence d'enfants. Cet appareil n'est pas un jouet.
8. Mettez toujours l'aspirateur hors tension avant d'attacher ou de détacher la buse motorisée ou un autre accessoire.
9. **NE MANIPULEZ PAS** la fiche ou l'aspirateur avec les mains mouillées.
10. **N'UTILISEZ PAS** l'appareil si les filtres ne sont pas en place.

11. Utilisez uniquement des filtres et des accessoires de marque Shark^{MD}. Sinon, la garantie sera annulée.
12. **PRENEZ SOIN DE NE PAS ENDOMMAGER** le cordon d'alimentation :
 - a) **N'UTILISEZ PAS** le cordon d'alimentation comme poignée pour porter ou pour tirer l'aspirateur.
 - b) **NE DÉBRANCHEZ PAS** l'appareil en tirant le cordon d'alimentation. Agrippez la fiche, pas le cordon.
 - c) **NE PASSEZ PAS** l'aspirateur par-dessus le cordon d'alimentation, ne fermez pas une porte sur le cordon, ne tirez pas le cordon sur des coins pointus et ne laissez pas le cordon près de surfaces chaudes.
13. **ÉVITEZ** d'insérer des objets dans les ouvertures de la buse ou de tout autre accessoire. **N'UTILISEZ PAS** l'appareil si une ouverture est obstruée. Veillez à ce que les ouvertures ne soient pas bloquées par de la poussière, de la peluche, des cheveux ou tout autre élément qui pourrait gêner la circulation de l'air.
14. **N'UTILISEZ PAS** l'appareil si le flux d'air de la buse ou de l'accessoire est obstrué. Si la buse de plancher motorisée ou les conduits d'air deviennent obstrués, éteignez l'aspirateur et débranchez-le de la prise de courant. Retirez toute obstruction avant de remettre l'appareil en marche.
15. Tenez la buse et tous les orifices de l'aspirateur éloignés des cheveux, du visage, des doigts, des pieds déchaussés ou des vêtements amples.

CONSERVEZ CES INSTRUCTIONS

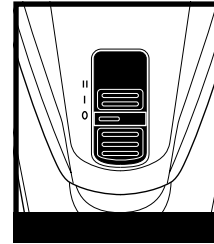
LISEZ TOUTES LES INSTRUCTIONS AVANT L'UTILISATION

16. **N'UTILISEZ PAS** l'aspirateur s'il ne fonctionne pas comme prévu, ou s'il a été échappé sur le sol, endommagé, laissé à l'extérieur ou immergé.
17. Soyez extrêmement prudent lorsque vous nettoyez les escaliers.
18. **NE LAISSEZ PAS** l'aspirateur sans surveillance lorsqu'il est branché.
19. Lorsqu'il est en marche, gardez l'aspirateur en mouvement sur le tapis en tout temps, afin d'éviter d'endommager les fibres du tapis.
20. **NE PLACEZ PAS** l'aspirateur sur des surfaces instables comme des chaises ou des tables.
21. Votre aspirateur Shark^{MD} pourrait ne pas avoir été conçu pour se maintenir de lui-même en position verticale. Lorsque vous prenez une pause, vous devrez peut-être l'appuyer contre un meuble ou un mur, ou le coucher sur le plancher. Toute utilisation où l'aspirateur serait dans une position instable pourrait entraîner des blessures corporelles.
22. **N'UTILISEZ PAS** l'appareil pour aspirer :
 - a) Des liquides
 - b) Des objets de grande taille
 - c) Des objets durs ou tranchants (verre, clous, vis ou pièces de monnaie)
 - d) De grandes quantités de poussière (poussière de cloison sèche, cendres ou braises de foyer). **N'UTILISEZ PAS** l'aspirateur comme accessoire pour un outil électrique pour l'aspiration de la poussière.
 - e) Des objets fumants ou brûlants (charbons ardents, mégots de cigarettes ou allumettes)
 - f) Des matériaux inflammables ou combustibles (essence à briquet, essence ou kérosène)
 - g) Des matières toxiques (eau de Javel, ammoniaque ou produit débouchant)
23. **N'UTILISEZ PAS** l'appareil dans les endroits suivants :
 - a) Endroits faiblement éclairés
 - b) Surfaces humides ou mouillées
 - c) À l'extérieur
 - d) Dans des endroits fermés pouvant contenir des matières explosives, ou des fumées ou vapeurs toxiques (essence à briquet, essence, kérosène, peinture, diluants à peinture, produits de traitement antimite ou poussières inflammables).
24. Fermez toutes les commandes avant de brancher ou de débrancher l'aspirateur.
25. Débranchez l'appareil de la prise murale lorsqu'il n'est pas en usage, et avant d'en faire l'entretien ou de le nettoyer.
26. Lavez à la main, avec de l'eau seulement. L'utilisation de produits chimiques de nettoyage pourrait endommager l'appareil.
27. Pendant le nettoyage ou l'entretien, **NE COUPEZ AUCUNE** matière autre que des cheveux, des fibres ou de la ficelle enroulés autour de la brosse rotative.
28. Laissez tous les filtres sécher complètement avant de les remettre dans l'aspirateur, afin d'éviter que du liquide ne soit aspiré dans les composants électriques.
29. Après avoir effectué l'entretien de routine, assurez-vous que le récipient à poussière et tous les filtres sont en place.
30. Le cas échéant, fixez le cordon d'alimentation autour des deux crochets avant de ranger l'appareil.

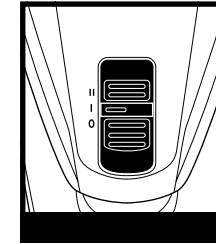


1. Insérez le **tube** dans la **buse de plancher**.
2. Insérez l'**aspirateur portatif** dans le tube.

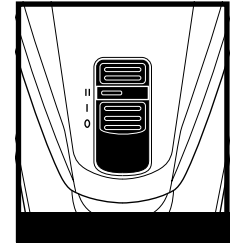
Assurez-vous que tous les raccords sont bien enclenchés.



Baissez l'interrupteur pour couper l'alimentation. Pour commencer à aspirer, faites glisser l'interrupteur au réglage approprié.



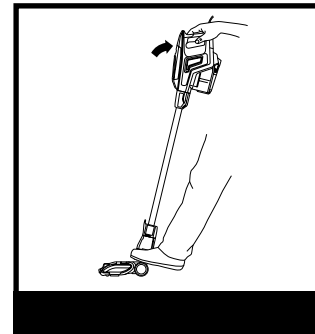
Planchers/carpettes
Les brosses rotatives tournent lentement pour nettoyer les planchers nus et les petits tapis.



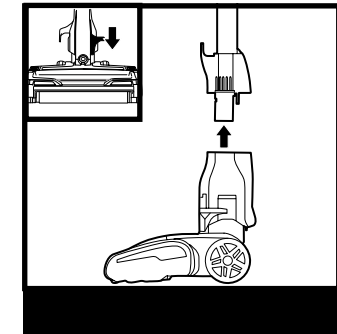
Tapis
Les brosses rotatives tournent plus rapidement pour aspirer les débris qui se trouvent sous la surface de vos tapis.

REMARQUE : Pour un nettoyage en profondeur conformément à la norme ASTM F 608 (saleté incrustée dans les tapis), veuillez utiliser le réglage II, soit le mode pour tapis.

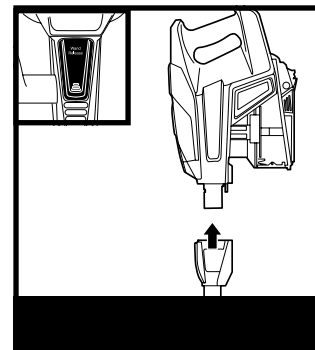
REMARQUE : Sélectionnez le mode Tapis pour la poussière et les débris collés.



Pour nettoyer les planchers, placez un pied sur la buse de plancher et inclinez vers l'arrière l'aspirateur portatif.



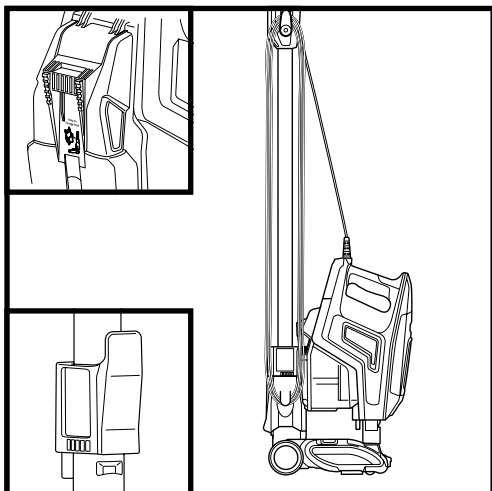
Détacher le tube pour obtenir un meilleur accès permettant de nettoyer les plinthes, les ventilateurs de plafond, les rebords de fenêtre et d'autres endroits difficiles d'accès. Pour débrancher le tube de la buse de plancher, placez l'aspirateur en position debout, appuyez sur la pédale à gauche de la buse, et tirez le tube vers le haut.



Appuyez sur le bouton **Wand Release (dégagement du tube)** et soulevez l'aspirateur portatif pour le retirer du tube. Idéal pour nettoyer les escaliers et les meubles.

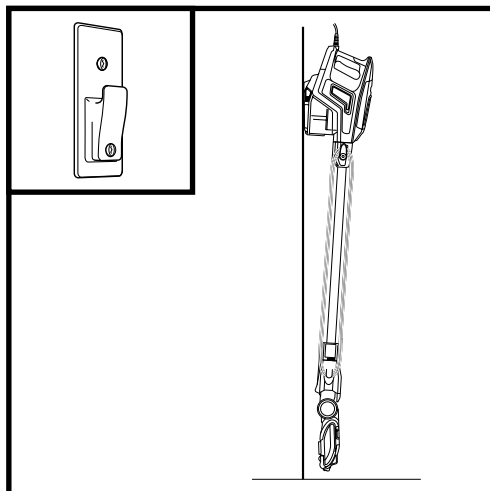
REMARQUE : Tous les accessoires sont compatibles avec le tube et l'aspirateur portatif.

CROCHET INTÉGRÉ



Appuyez sur le bouton Wand Release (dégagement du tube) situé dans la partie supérieure du tube pour dégager l'aspirateur portatif. Alignez le collecteur de la partie inférieure de l'aspirateur portatif avec le crochet de rangement situé sur le tube. Faites glisser l'aspirateur portatif de manière à ce que le collecteur pende du crochet de rangement. Enroulez le câble d'alimentation autour des deux crochets.

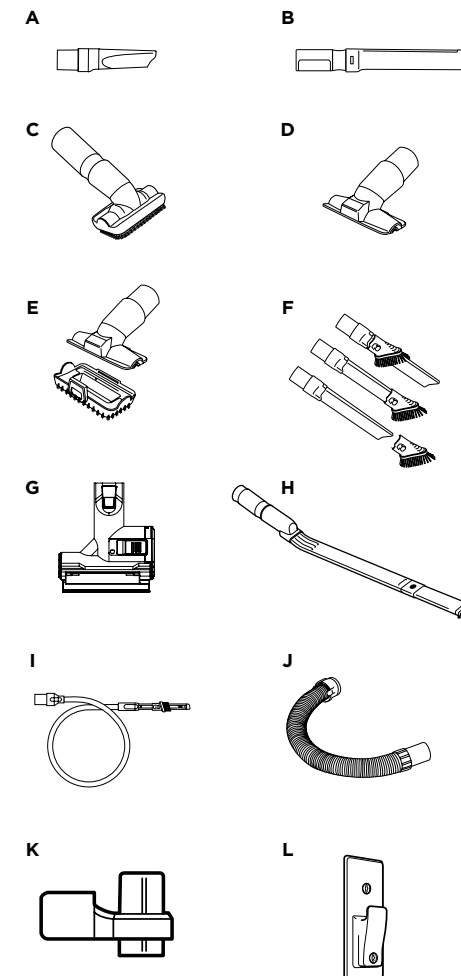
SUPPORT MURAL



Pour un rangement commode au-dessus du sol, vous pouvez acheter un support mural offert sur le site sharkaccessories.com. Ce support comprend la quincaillerie nécessaire ainsi qu'un feuillet d'instructions avec modèle de montage.

REMARQUE : Tous les accessoires ne sont pas fournis avec tous les appareils. Veuillez vous référer au guide de démarrage rapide inclus pour connaître la configuration de votre appareil. Pour acheter des accessoires additionnels, consultez le site sharkaccessories.com.

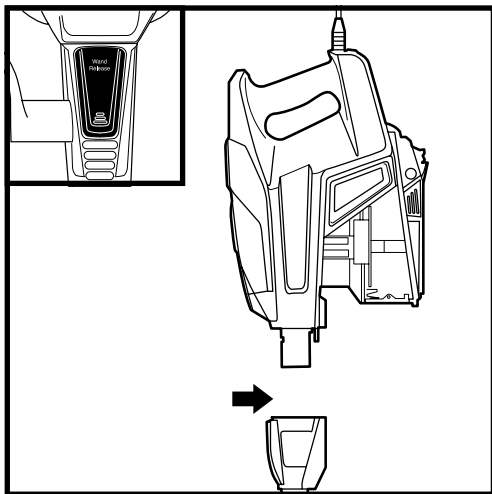
- A Suceur plat de 12,5 cm (5 po)**
Cet accessoire effilé de 12,5 cm (5 po) permet d'accéder aux coins, aux plinthes et aux endroits exigus et d'atteindre les plafonds.
- B Suceur plat de 30 cm (12 po)**
Nettoyez les endroits exigus et atteignez plinthes et plafonds avec ce suceur plat mince.
- C Brosse à épousseter**
Époussetez étagères, plinthes, cadres de portes et de fenêtres, et beaucoup plus. Tournez la tête de la brosse pour ajuster l'angle en fonction de la surface à nettoyer.
- D Outil pour les poils d'animaux/à meubles**
Idéal pour retirer les poils d'animaux et la charpie des meubles et d'autres surfaces rembourrées.
- E Accessoire polyvalent pour les poils d'animaux de compagnie**
Un seul accessoire convertible pour nettoyer les dégâts tenaces d'animaux de compagnie de deux manières : d'abord, une brosse aux soies douces pour nettoyer les débris tenaces. Ensuite, retirez la brosse à soies pour exposer l'outil à meubles qui permet d'éliminer les poils d'animaux tenaces.
- F Outil suceur plat avec brosse à épousseter**
Deux accessoires pour le nettoyage en un. Le suceur plat vous permet de mieux atteindre des espaces restreints, et la brosse à épousseter peut nettoyer une multitude de surfaces.
- G Mini brosse motorisée**
Propulsée par un moteur, cette petite brosse élimine les poils d'animaux les plus collants et extrait saleté, poussière, squames et allergènes des oreillers, des meubles en tissu et des tapis.
- H Tube d'extension pour l'espace sous les meubles**
Utilisez cet accessoire réglable de 91,4 cm (36 po) pour nettoyer en dessous et à l'arrière des meubles et des appareils électroménagers difficiles à déplacer. Retournez l'accessoire de rallonge pour nettoyer en dessous des appareils électroménagers.
- I Brosse à épousseter de précision**
Tube flexible avec suceur plat muni à son extrémité d'une mini brosse à épousseter permettant de nettoyer autour d'objets délicats et dans des endroits difficiles d'accès comme dans les habitacles de voiture et sur les claviers d'ordinateur.
- J Boyau flexible**
Étirez et pliez le boyau de rallonge pour nettoyer autour des objets et atteindre les espaces difficiles d'accès. Fixez le suceur plat ou tout autre accessoire selon l'objet à nettoyer.
- K Attache de rangement intégrée**
L'attache amovible se fixe au tube de l'aspirateur. Peut contenir jusqu'à deux accessoires simultanément pendant le nettoyage ou pour l'entreposage.
- L Support mural**
Installez le support pour accrocher votre aspirateur au mur pour un rangement commode. Comprend vis, chevilles et feuille d'instructions, avec modèle de montage facilitant l'installation.



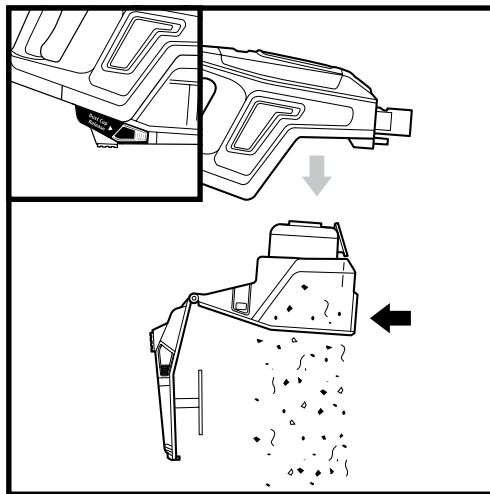
IMPORTANT : Débranchez l'aspirateur avant d'effectuer tout entretien.

VIDANGE DU RÉCIPIENT À POUSSIÈRE

Videz le récipient à poussière chaque fois que vous passez l'aspirateur et périodiquement pendant le nettoyage, lorsque les débris dans le récipient atteignent la ligne MAX fill (remplissage maximal).

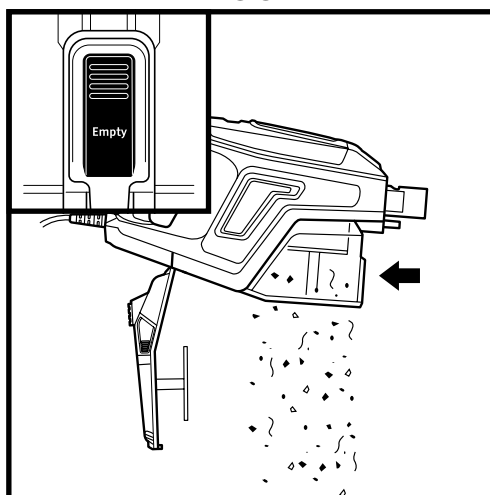


Appuyez sur le bouton Wand Release (dégagement du tube) et soulevez l'aspirateur portable pour le retirer du tube.



Pour retirer le récipient à poussière de l'aspirateur portable, appuyez simultanément sur les deux boutons **Dust Cup Release (déverrouillage du récipient à poussière)**, puis retirez le récipient à poussière. Appuyez sur le bouton **Empty (vidange)** situé à l'avant du récipient à poussière.

OU



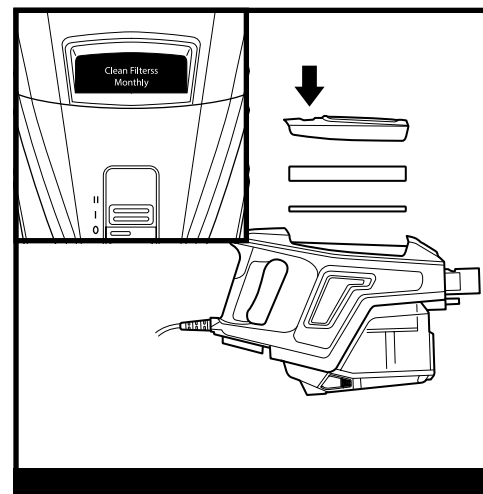
Le récipient à poussière étant fixé à l'aspirateur portable, appuyez sur le bouton Empty (vidange) situé à l'avant du récipient à poussière.

IMPORTANT : Débranchez l'aspirateur avant d'effectuer tout entretien.

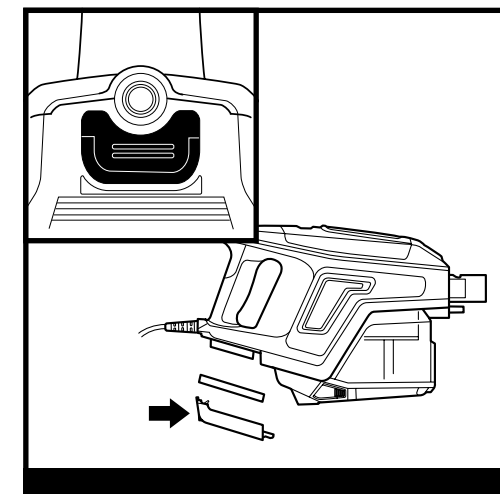
NETTOYAGE DES FILTRES

Effectuez régulièrement l'entretien de vos filtres afin que la puissance d'aspiration de votre appareil demeure optimale.

IMPORTANT : Pour éviter les dommages, rincez les filtres **UNIQUEMENT** avec de l'eau. **N'UTILISEZ PAS** de savon. Laissez les filtres sécher pendant au moins 24 heures avant de les remettre dans l'aspirateur pour éviter que de l'eau soit aspirée dans les composants électriques.



Les **filtres pré-moteur** devraient être lavés une fois par mois.



Le **filtre post-moteur** devrait être lavé une fois tous les neuf mois.

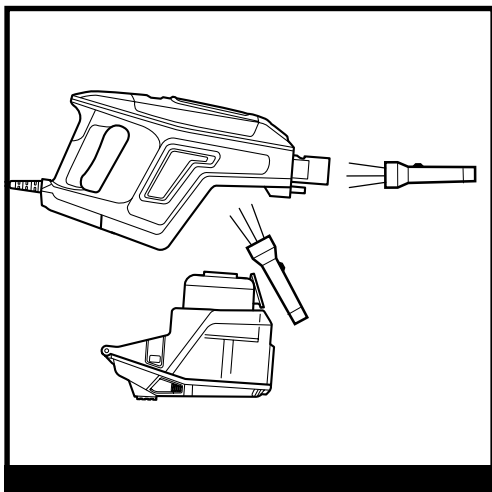
FILTRES DE REMPLACEMENT

Trousse de remplacement du filtre pré-moteur
XPMFK320

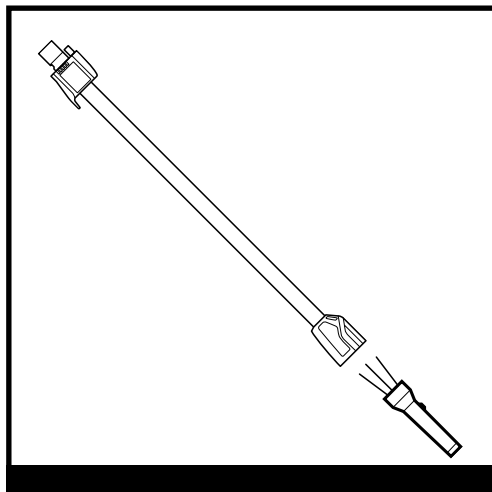
Filtre post-moteur de remplacement
XPSTFH380

REMARQUE : Les filtres pré-moteur devraient être remplacés tous les 2,5 ans. Le filtre pré-moteur devrait être remplacé tous les 3 ans.

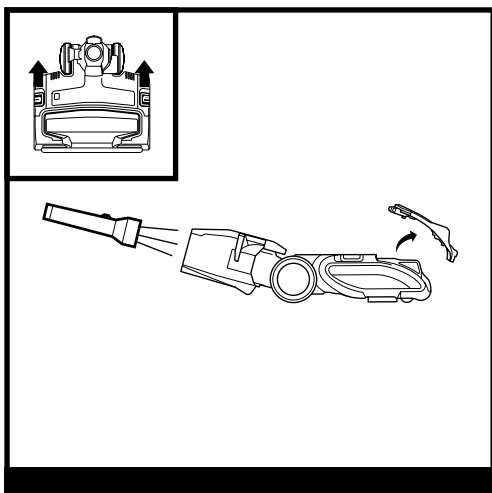
VÉRIFICATION DE LA PRÉSENCE D'OBSTRUCTIONS



Retirez le tube de l'aspirateur portable et vérifiez toutes les entrées du récipient à poussière.



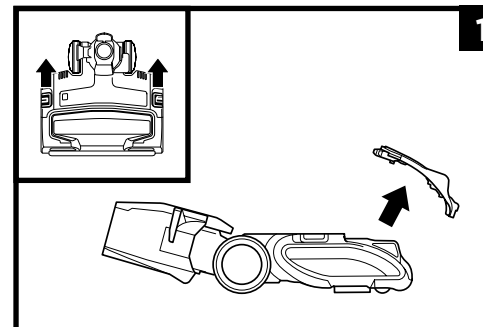
Détachez le tube et vérifiez qu'il n'est pas obstrué.



Détachez le tube. Pour ouvrir le boîtier des brosses rotatives, glissez les deux boutons de dégagement sur la buse de plancher devant vous, vers l'arrière de la buse, puis soulevez le couvercle.

Inclinez en arrière le col de la buse, et vérifiez la présence d'obstructions dans les ouvertures. Pour fermer le couvercle du boîtier des brosses rotatives, insérez les 3 languettes du dessus du couvercle dans les 3 fentes de la buse, puis poussez vers le bas sur les deux côtés du couvercle jusqu'à ce qu'il s'enclenche fermement en place avec un déclic.

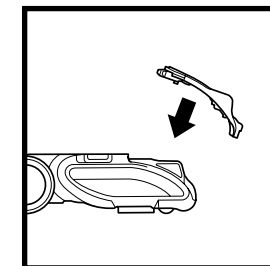
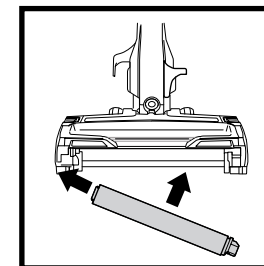
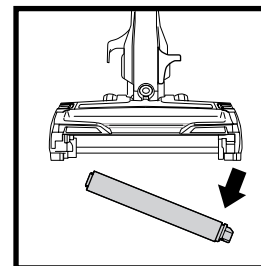
ENTRETIEN DE LA BUSE



NETTOYAGE DES BROSSES ROTATIVES

- 1 Pour ouvrir le boîtier des brosses rotatives, glissez les deux boutons de dégagement sur la buse de plancher devant vous, vers l'arrière de la buse, puis soulevez le couvercle.
- 2 Éliminez tout objet ou débris.
- 3 Pour fermer le couvercle du boîtier des brosses rotatives, insérez les 3 languettes du dessus du couvercle dans les 3 fentes de la buse, puis poussez vers le bas sur les deux côtés du couvercle jusqu'à ce qu'il s'enclenche fermement en place avec un déclic. **Si le voyant indicateur des brosses rotatives n'est pas vert et que les lumières clignotent, vérifiez de nouveau si les deux côtés du couvercle sont bien enclenchés.**

REMARQUE : S'il y a des cheveux enroulés autour de la brosse rotative, continuez à nettoyer en utilisant le mode **Carpet** (tapis) sur les planchers, les tapis à poils courts ou les carpettes. Cela permettra à la technologie Zero-M d'éliminer les cheveux en les envoyant dans le récipient à poussière. Si certaines fibres restent enroulées autour de la brosse rotative après une utilisation continue, enlevez-les soigneusement.



NETTOYAGE DU ROULEAU DOUX

- 1 Pour retirer le rouleau doux de la buse, ouvrez d'abord le boîtier des brosses rotatives, puis extrayez le rouleau doux en tirant sur la languette.
- 2 Tapotez le rouleau doux pour en retirer les débris. Utilisez une serviette sèche pour essuyer le rouleau doux ou pour retirer les débris accumulés sur les dents derrière le rouleau.
- 3 Lavez le rouleau doux à la main au besoin. Utilisez uniquement de l'eau et laissez sécher entièrement à l'air libre pendant au moins 24 heures.
- 4 Réinsérez le rouleau doux, puis refermez le boîtier des brosses rotatives en introduisant les 3 languettes du dessus du couvercle dans les 3 fentes de la buse. Poussez ensuite vers le bas sur les deux côtés du couvercle jusqu'à ce qu'il s'enclenche fermement en place avec un déclic. Si le voyant indicateur de la brosse rotative n'est pas vert et que les lumières clignotent, vérifiez de nouveau si les deux côtés du couvercle sont bien enclenchés.

REMARQUE : En utilisation normale, vous aurez peut-être à effectuer un entretien de routine de votre rouleau doux.

L'aspirateur ne ramasse pas la poussière. Aucune aspiration ou aspiration faible. (Consultez la section Entretien pour obtenir plus de renseignements.)

- Vérifiez si les filtres doivent être nettoyés. Suivez les instructions de rinçage et de séchage des filtres avant de les remettre dans l'aspirateur.
- Le récipient à poussière pourrait être plein; videz-le, le cas échéant.
- Vérifiez si la buse de plancher est obstruée. Retirez toute obstruction, au besoin.
- Retirez les fils, les fibres de tapis ou les cheveux qui pourraient s'être enroulés autour de la brosse rotative ou du rouleau doux.
- Assurez-vous que le boîtier des brosses rotatives est bien verrouillé en place en poussant vers le bas sur les deux côtés du couvercle jusqu'à ce qu'il s'enclenche fermement en place avec un déclic.

L'aspirateur soulève les carpettes.

- La succion est puissante. Faites attention lorsque vous passez l'aspirateur sur les carpettes et les moquettes à bordure cousue délicatement.
- Éteignez l'appareil pour dégager les brosses rotatives. Pour l'allumer à nouveau, faites glisser l'interrupteur d'alimentation au réglage I, Planchers/carpettes.

Les brosses rotatives ne tournent pas.

- Si le voyant indicateur des brosses rotatives passe au rouge, éteignez immédiatement et débranchez l'aspirateur. Retirez le tube de la buse de plancher et éliminez toute obstruction. Remplacez le tube, branchez l'aspirateur et mettez-le sous tension.
- Si le voyant indicateur des brosses rotatives sur la buse de plancher s'allume en vert, cela signifie que l'obstruction a bien été retirée. Si le témoin continue de s'allumer en rouge, communiquez avec le Service à la clientèle, au 1 800 798-7398.

L'aspirateur s'éteint tout seul, ou le voyant indicateur s'allume en rouge.

Cet aspirateur est muni d'un thermostat de protection du moteur qui coupe l'alimentation lorsque celui-ci surchauffe. Dans cette éventualité, veuillez suivre les étapes suivantes pour redémarrer le thermostat de protection du moteur :

1. Éteignez l'aspirateur et débranchez-le.
2. Videz le récipient à poussière et nettoyez les filtres (consultez la section Entretien).
3. Vérifiez s'il y a des obstructions dans le tuyau, les accessoires et les orifices d'entrée.
4. Laissez refroidir l'appareil pendant au moins 45 minutes.
5. Branchez l'aspirateur et mettez-le en marche.

Si vous éprouvez toute autre difficulté, visitez sharkclean.com/support.

La garantie limitée de cinq (5) ans s'applique aux achats effectués auprès de détaillants autorisés de **SharkNinja Operating LLC**. La garantie s'applique uniquement au premier propriétaire et au produit original et n'est pas transférable.

SharkNinja garantit ce produit contre toute défectuosité de matériau ou de main-d'œuvre pour une période de cinq (5) ans à compter de la date d'achat, dans le cadre d'un usage domestique normal et si le produit est entretenu conformément aux exigences décrites dans le guide de l'utilisateur, sous réserve des conditions et des exclusions ci-dessous :

Qu'est-ce qui est couvert par cette garantie?

1. L'appareil d'origine et/ou les composants inusables considérés comme défectueux, à la seule discrétion de SharkNinja, seront réparés ou remplacés jusqu'à cinq (5) ans à compter de la date d'achat initiale.
2. Dans le cas d'un remplacement de l'appareil, la garantie prendra fin six (6) mois après la date de réception de l'appareil de remplacement ou pendant le reste de la période de garantie existante, selon la période la plus longue. SharkNinja se réserve le droit de le remplacer par un appareil de valeur égale ou supérieure.

Qu'est-ce qui n'est pas couvert par cette garantie?

1. L'usure normale des pièces (comme les filtres en mousse, les filtres HEPA, les tampons, etc.) qui nécessitent un entretien et/ou un remplacement réguliers afin d'assurer le bon fonctionnement de votre appareil n'est pas couverte par cette garantie. Vous pouvez faire l'achat de pièces de rechange par l'entremise du site sharkaccessories.com.
2. La garantie ne s'applique pas aux appareils utilisés de façon abusive ou à des fins commerciales.
3. Les dommages causés par une mauvaise utilisation (comme aspirer de l'eau ou d'autres liquides), un abus, une négligence lors de la manipulation, un manquement à l'entretien nécessaire (comme ne pas nettoyer les filtres), ou un dommage dû à une mauvaise manipulation pendant le transport.
4. Les dommages indirects et accessoires.
5. Les défectuosités causées par des réparateurs non autorisés par SharkNinja. Ces défectuosités incluent les dommages causés lors du processus d'expédition, de modification ou de réparation du produit SharkNinja (ou de l'une de ses pièces) lorsque la réparation est effectuée par un réparateur non autorisé par SharkNinja.
6. Les produits achetés, utilisés ou mis en fonction à l'extérieur de l'Amérique du Nord.

Comment obtenir du service

Si votre appareil ne fonctionne pas correctement lorsque vous l'utilisez normalement à domicile durant la période de garantie, visitez le sharkclean.com pour obtenir de l'information sur les soins et l'entretien du produit que vous pouvez effectuer vous-même. Nos spécialistes du service à la clientèle sont aussi disponibles au **1 800 798-7398** pour de l'assistance sur les produits et les options de garantie de service offertes, y compris la possibilité de passer à nos options de garantie de service VIP pour certaines catégories de produits.

SharkNinja assumera les frais de retour de l'appareil à nos sites par le consommateur en vue de la réparation ou du remplacement de l'appareil. Un montant de 24,95 \$ (sujet à changement) sera facturé lorsque SharkNinja expédiera l'appareil réparé ou remplacé.

Comment présenter une demande de service sous garantie


Vous devez téléphoner au **1 800 798-7398** pour soumettre une réclamation au titre de la garantie. Vous aurez besoin du reçu comme preuve d'achat.


Un spécialiste du service à la clientèle vous fournira les directives d'emballage et de retour.

De quelle manière les lois d'État s'appliquent-elles?

Cette garantie vous accorde des droits spécifiques légaux et vous pouvez aussi bénéficier d'autres droits qui varient d'une province ou d'un État à l'autre. Comme certains États américains ou certaines provinces canadiennes n'acceptent pas l'exclusion ou la limitation de dommages accessoires ou indirects, cette disposition peut ne pas s'appliquer à votre cas.

ENREGISTREZ VOTRE ACHAT :

 registeryourshark.com

 Numérisez le code QR avec votre appareil mobile



CONSIGNEZ CES RENSEIGNEMENTS

Numéro de modèle : _____

Code de date : _____

Date d'achat : _____
(Conservez la facture)

Magasin où l'appareil a été acheté : _____

CARACTÉRISTIQUES TECHNIQUES

Tension électrique : 120 V, 60 Hz

Puissance : 600 W

Intensité : 5 A

Les avantages d'enregistrer votre produit et de créer un compte :

- Obtenez un support produit plus facile et plus rapide, et accédez aux informations de garantie
- Accédez aux instructions de dépannage et de maintenance produit
- Soyez parmi les premiers à connaître les promotions de produits exclusives

CONSEIL : Le numéro de modèle est indiqué sur la plaque signalétique à l'arrière de l'appareil.

CONSEIL : Le code de la date est indiqué sur l'une des broches du cordon d'alimentation.

INSTRUCCIONES IMPORTANTES DE SEGURIDAD

PARA USO DOMÉSTICO ÚNICAMENTE

Para reducir el riesgo de descarga eléctrica, esta aspiradora cuenta con un enchufe polarizado (una terminal es más ancha que la otra). Como característica de seguridad, este enchufe se conecta en un tomacorriente polarizado solo de una forma. Si el enchufe no entra por completo en el tomacorriente, invierta el enchufe. Si aun así no encaja, comuníquese con un electricista calificado. **NO lo fuerce en el tomacorriente ni trate de modificarlo para que encaje.**

⚠️ ADVERTENCIA

PARA REDUCIR EL RIESGO DE INCENDIO, DESCARGA ELÉCTRICA O LESIÓN:

ADVERTENCIAS GENERALES

1. La aspiradora puede estar compuesta por una boquilla motorizada, un vástago, una manguera o un receptáculo de la aspiradora. Este dispositivo contiene conexiones eléctricas, cables eléctricos y piezas móviles que presentan un riesgo potencial para el usuario.
2. Use únicamente piezas de repuesto idénticas.
3. Respete y siga atentamente las instrucciones a continuación para evitar un uso incorrecto del aparato. **NO** use la aspiradora para ningún propósito que no se encuentre descrito en este manual.
4. Antes de su uso, inspeccione con cuidado todas las piezas para verificar si presentan daños. **NO** use la aspiradora si alguna pieza está dañada.
5. **NO** se recomienda el uso de cables de extensión.
6. Esta aspiradora no contiene piezas reparables.

ADVERTENCIAS DE USO

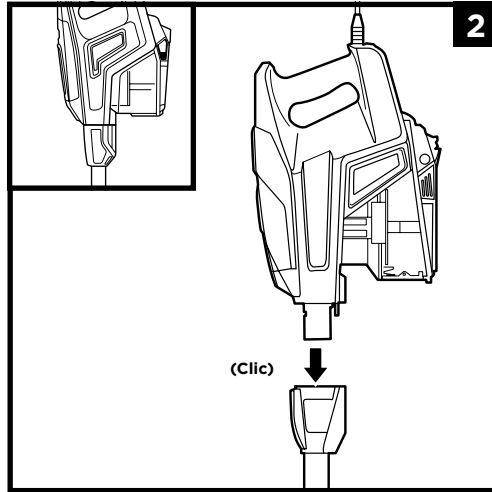
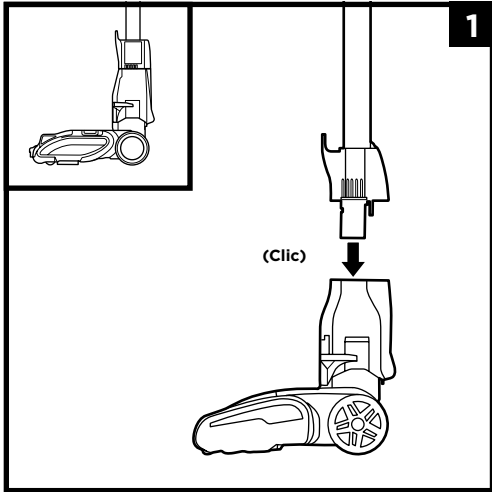
7. **NO** permita que los niños usen el aparato. Se necesita una supervisión estricta cuando se utiliza el aparato cerca de los niños. Este aparato no es un juguete.
8. Apague siempre la aspiradora antes de conectar o desconectar alguna boquilla motorizada u otro accesorio.
9. **NO** manipule el enchufe ni la aspiradora con las manos mojadas.

10. **NO** use la aspiradora sin los filtros puestos.
11. Use únicamente filtros y accesorios de la marca Shark®. Si no lo hace, se anulará la garantía.
12. **NO** dañe el cable de alimentación:
 - a) **NO** tire de la aspiradora ni la transporte por el cable, y no use el cable como mango.
 - b) **NO** desenchufe la aspiradora tirando del cable. Agarre el enchufe, no el cable.
 - c) **NO** pase la aspiradora por encima del cable de alimentación, cierre una puerta por la que pasa el cable, tire del cable en esquinas filosas ni deje el cable cerca de superficies calientes.
13. **NO** coloque ningún objeto en la boquilla ni en las aberturas de los accesorios. **NO** utilice la aspiradora si tiene alguna abertura obstruida; mantenga las aberturas libres de polvo, pelusas, pelos y cualquier cosa que pueda disminuir el flujo de aire.
14. **NO** use la aspiradora si el flujo de aire por la boquilla o los accesorios se encuentra restringido. Si se obstruyen los pasos de aire o la boquilla de piso motorizada, apague la aspiradora y desenchúfela del tomacorriente. Retire todas las obstrucciones antes de volver a enchufar y encender la unidad.
15. Mantenga la boquilla y todas las aberturas de la aspiradora alejadas del cabello, el rostro, los dedos, los pies descalzos o la ropa suelta.

CONSERVE ESTAS INSTRUCCIONES

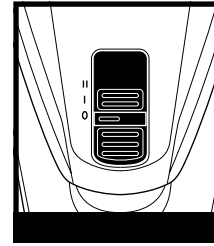
LEA TODAS LAS INSTRUCCIONES ANTES DE USAR

16. **NO** use si la aspiradora no está funcionando como debiera, o se ha caído, dañado, dejado al aire libre o caído al agua.
17. Tenga extremo cuidado cuando limpie en escaleras.
18. **NO** deje la aspiradora sin supervisión cuando esté enchufada.
19. Al estar encendida, mantenga la aspiradora en movimiento sobre la alfombra en todo momento para evitar dañar las fibras de la alfombra.
20. **NO** coloque la aspiradora sobre superficies inestables como sillas o mesas.
21. Es posible que su aspiradora Shark® no esté diseñada para mantenerse erguida por sí sola. Cuando deje de utilizarla por un momento, quizá deba apoyarla contra un mueble o una pared, o bien recostarla en el piso. El uso de la aspiradora en un lugar en el que la unidad no tenga estabilidad puede dar lugar a una lesión personal.
22. **NO** use la aspiradora para recoger:
 - a) Líquidos
 - b) Objetos grandes
 - c) Objetos duros o filosos (vidrio, clavos, tornillos o monedas)
 - d) Cantidades grandes de polvo (polvo de yeso, cenizas de chimenea ni brasas). **NO** use la aspiradora como accesorio de una herramienta eléctrica para recolectar polvo.
 - e) Objetos humeantes o ardientes (carbones calientes, colillas de cigarrillo, o fósforos)
 - f) Materiales inflamables o combustibles (líquido de encendedor, gasolina, queroseno)
 - g) Materiales tóxicos (blanqueador a base de cloro, amoníaco, limpiador de drenaje)
23. **NO** use la aspiradora en las áreas siguientes:
 - a) Áreas poco iluminadas
 - b) Superficies húmedas o mojadas
 - c) Áreas al aire libre
 - d) Espacios cerrados que puedan contener vapores o gases explosivos o tóxicos (líquido de encendedor, gasolina, queroseno, pintura, solventes de pintura, sustancias antipolillas o polvo inflamable)
24. Apague todos los controles antes de enchufar o desenchufar la aspiradora.
25. Desenchufe la aspiradora del tomacorriente cuando no la use y antes de realizar cualquier mantenimiento o limpieza.
26. Lave la aspiradora a mano con agua solamente. Lavar la unidad con sustancias químicas limpiadoras podría dañarla.
27. Al limpiar el aparato o realizar mantenimiento de rutina, **NO** corte nada que no sean cabellos, fibras o hilos enredados en el cepillo giratorio.
28. Deje secar por completo todos los filtros al aire antes de volver a colocarlos en la aspiradora a fin de evitar que penetre líquido en las piezas eléctricas.
29. Asegúrese de que el recipiente para el polvo y todos los filtros estén en su sitio después del mantenimiento de rutina.
30. Fije el cable de alimentación alrededor de los dos ganchos para cable durante el almacenamiento, si estos se proporcionan.

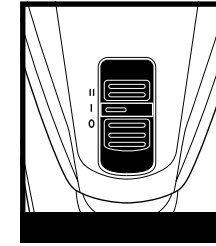


1. Inserte el **vástago** en la **boquilla de piso**.
2. Inserte la **aspiradora portátil** en el **vástago**.

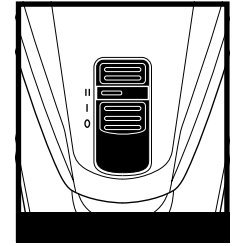
Asegúrese de que todas las conexiones estén trabadas de manera segura en su lugar.



Deslice el interruptor hasta la parte inferior para apagar la unidad. Para empezar a aspirar, deslice el interruptor hasta el ajuste correspondiente.



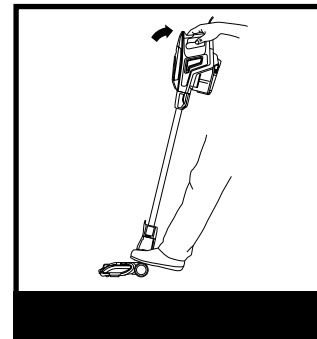
Piso descubierto/tapetes pequeños
Los cepillos giratorios rotan despacio para limpiar los pisos descubiertos y los tapetes pequeños.



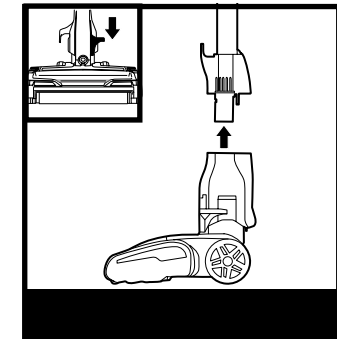
Alfombra
Los cepillos giratorios rotan más rápido para recolectar los residuos que se encuentran debajo de la superficie de las alfombras.

NOTA: Para una limpieza profunda de acuerdo con el método ASTM F 608 (polvo metido en las alfombras), utilice la configuración II, Alfombra.

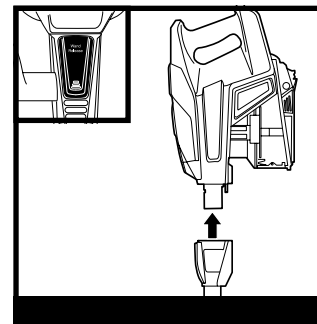
NOTA: Seleccione la opción Carpet (alfombra) para aspirar polvo atrapado y residuos sólidos.



Para limpiar pisos, coloque el pie en la boquilla de piso e incline la aspiradora portátil hacia atrás.



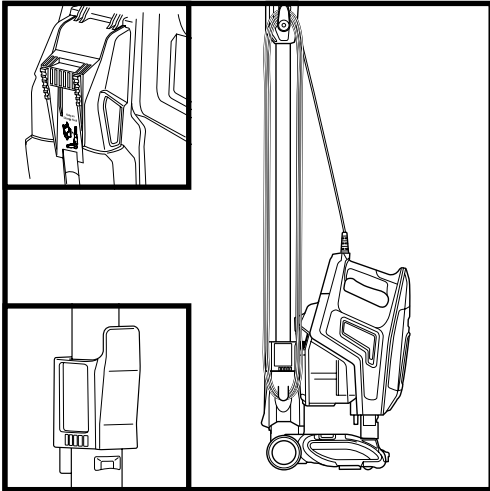
Separe el **vástago** para obtener más alcance para limpiar zócalos, ventiladores de techo, alféizares de ventanas y otras áreas de difícil acceso. Coloque la aspiradora en posición vertical, luego presione el pedal en la parte izquierda de la boquilla de piso y jale el **vástago** hacia arriba para desconectarlo.



Presione el botón **Wand Release (liberación del vástago)** para retirar la aspiradora portátil del vástago. Excelente para limpiar escaleras y muebles.

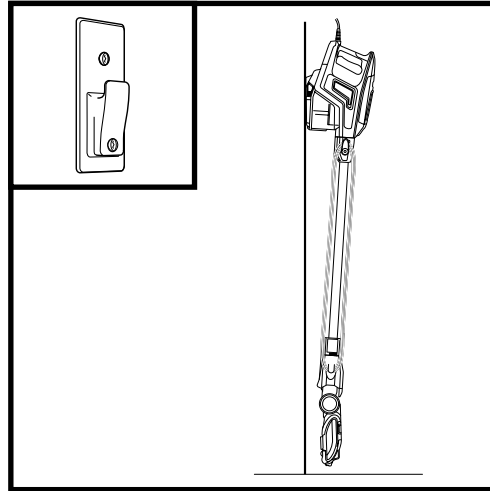
NOTA: Todos los accesorios son compatibles con el vástago y la aspiradora portátil.

GANCHO INCORPORADO



Presione el botón Wand Release (liberación del vástago) que se encuentra en la parte superior del vástago para desconectarlo de la aspiradora portátil. Alinee el enganche que se encuentra en la parte inferior de la aspiradora portátil con el gancho de almacenamiento en el vástago. Deslice la aspiradora portátil hacia abajo para que el enganche cuelgue del gancho de almacenamiento. Enrolle el cable alrededor de los dos ganchos para el cable.

MONTAJE PARA PARED



Para un almacenamiento cómodo por encima del piso, puede comprar un montaje para pared en sharkaccessories.com. Viene con accesorios de instalación y una hoja de instrucciones con una plantilla de montaje.

NOTA: No se incluyen todos los accesorios en todas las unidades. Consulte la Guía de inicio rápido adjunta para conocer la configuración de su unidad. Para adquirir más accesorios, visite sharkaccessories.com.

A Herramienta para grietas de 12,5 cm (5 in)

Esta herramienta delgada de 12,5 cm (5 in) puede acceder a rincones, zócalos, espacios reducidos y techos.

B Herramienta para grietas de 30 cm (12 in)

Limpie espacios reducidos o alcance zócalos y techos gracias a esta delgada herramienta para grietas.

C Cepillo para polvo

Limpie estantes, zócalos, marcos de ventanas y puertas y mucho más. Gire el cabezal del cepillo para ajustar el ángulo a la superficie que desea limpiar.

D Herramienta para tapizado/pelo de mascotas

Es perfecta para recolectar el pelo de las mascotas y las pelusas de los muebles y de otras superficies tapizadas.

E Accesorio múltiple para pelo de mascotas

Una herramienta convertible para limpiar la suciedad difícil que deja su mascota de dos maneras: en primer lugar, un cepillo de cerdas duras para limpiar la suciedad adherida. Luego retire las cerdas para utilizar una herramienta para tapizados que sirve para eliminar pelos de mascotas difíciles de quitar.

F Herramienta para grietas/cepillo para polvo

Dos herramientas de limpieza en una. La herramienta para grietas le proporciona un alcance de limpieza extendido para los espacios pequeños, mientras que el cepillo para polvo limpia diversas superficies.

G Cepillo pequeño motorizado

Alimentado por un motor, este pequeño cepillo remueve el pelo de mascota más aferrado y quita la tierra, polvo, caspa y alérgicos desde lo más profundo de las almohadas, tapizados y alfombras.

H Vástago para limpiar debajo de electrodomésticos

Limpie debajo y detrás de los electrodomésticos y los muebles difíciles de mover con esta herramienta ajustable de 91,4 cm (36 in). Dele vuelta a la pieza extensible para limpiar el lado inferior de los electrodomésticos.

I Desempolvador de precisión

Tubo flexible con herramienta para grietas con desempolvador pequeño en el extremo para limpiar alrededor de objetos delicados y en lugares difíciles de alcanzar, como el interior del automóvil y los teclados de computadoras.

J Manguera flexible

Estire y flexione esta manguera extensible para limpiar alrededor de los objetos y llegar a espacios difíciles de alcanzar. Coloque la herramienta para grietas u otros accesorios según lo que vaya a limpiar.

K Broche de almacenamiento incorporado

El broche extraíble se acopla al vástago de la aspiradora. Puede albergar hasta dos accesorios a la vez durante la limpieza o el almacenamiento.

L Montaje para pared

Instale el montaje a fin de colgar su aspiradora en la pared para un almacenamiento cómodo. Incluye tornillos, tarugos y hoja de instrucciones con una plantilla de montaje para una instalación sencilla.

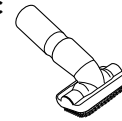
A



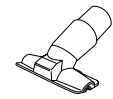
B



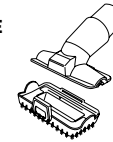
C



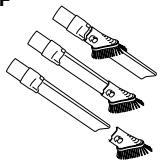
D



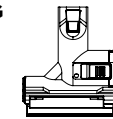
E



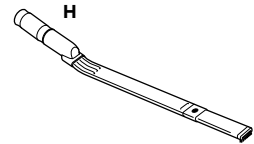
F



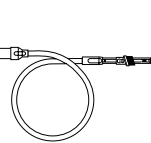
G



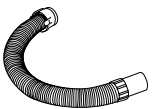
H



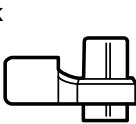
I



J



K



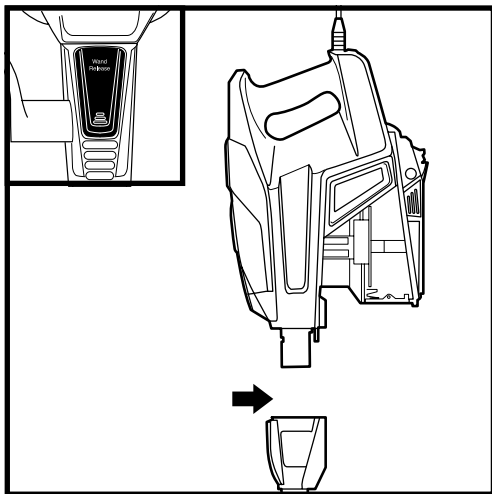
L



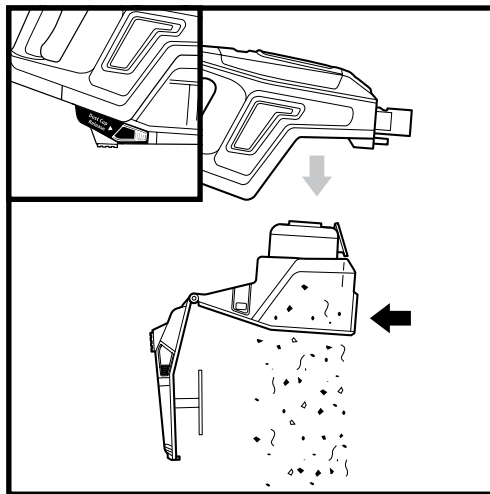
IMPORTANTE: Desenchufe la aspiradora antes de realizar cualquier mantenimiento.

VACIADO DEL RECIPIENTE PARA EL POLVO

Vacíe el recipiente para el polvo cada vez que utilice la aspiradora y de manera periódica durante la limpieza, cuando la basura dentro del recipiente para el polvo alcance la línea MAX fill (llenado máximo).

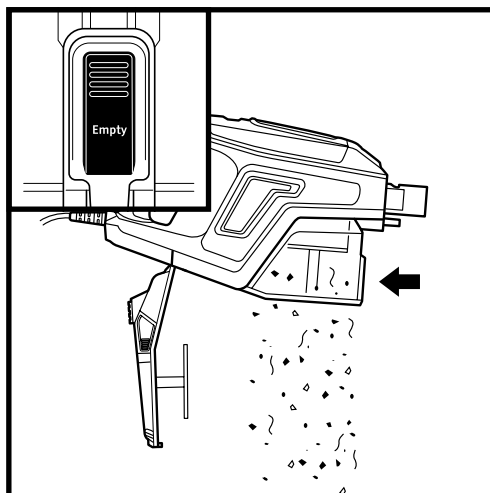


Presione el botón Wand Release (liberación del vástago) y retire la aspiradora portátil del vástago.



Para retirar el recipiente para el polvo de la aspiradora portátil, presione al mismo tiempo los dos botones **Dust Cup Release (liberación del recipiente para el polvo)** y jale el recipiente. Presione el botón **Empty (vaciar)** al frente del recipiente para el polvo.

○



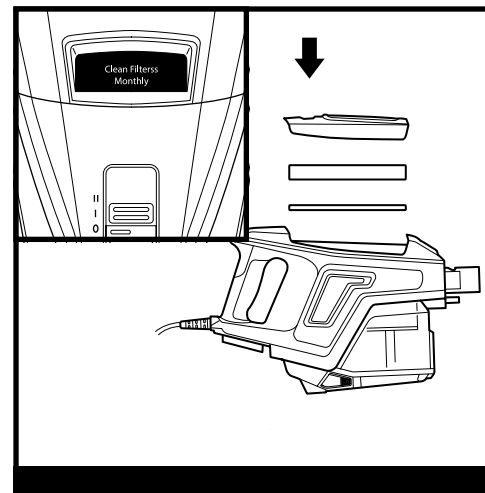
Con el recipiente para el polvo acoplado a la aspiradora portátil, presione el botón Empty (vaciar) al frente del recipiente para el polvo.

IMPORTANTE: Desenchufe la aspiradora antes de realizar cualquier mantenimiento.

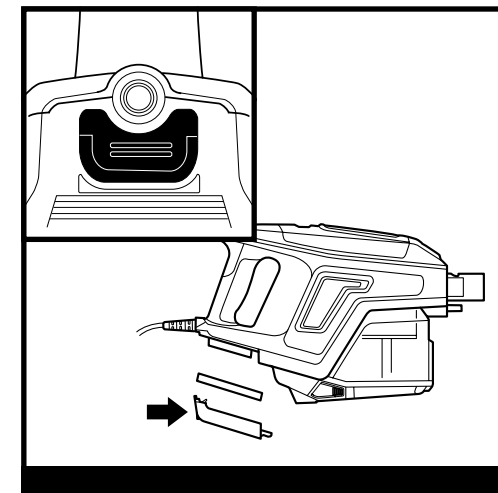
CÓMO LIMPIAR LOS FILTROS

Realice un mantenimiento regular de sus filtros para mantener una óptima potencia de succión de su aspiradora.

IMPORTANTE: Para evitar daños, lave los filtros **SOLO** con agua. **NO** use jabón. Deje secar los filtros al aire durante al menos 24 horas antes de reinstalarlos a fin de evitar que penetre líquido en las piezas eléctricas.



Los **Filtros anteriores al motor** deben lavarse una vez al mes.



El **Filtro posterior al motor** debe lavarse una vez cada 9 meses.

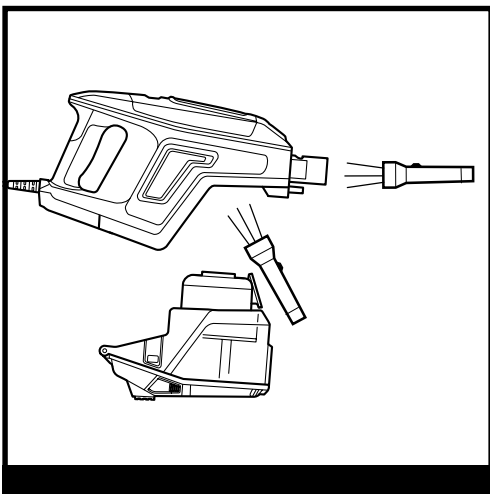
FILTROS DE REEMPLAZO

Kit de reemplazo de filtro anterior al motor
XPMFK320

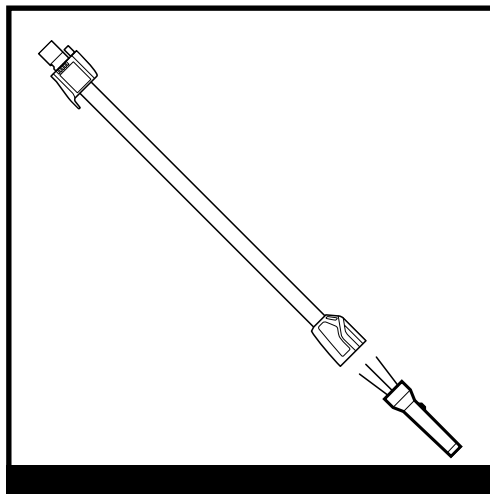
Kit de reemplazo de filtro posterior al motor
XPSTFH380

NOTA: Los filtros anteriores al motor se deben reemplazar cada dos años y medio. El filtro posterior al motor se debe reemplazar cada tres años.

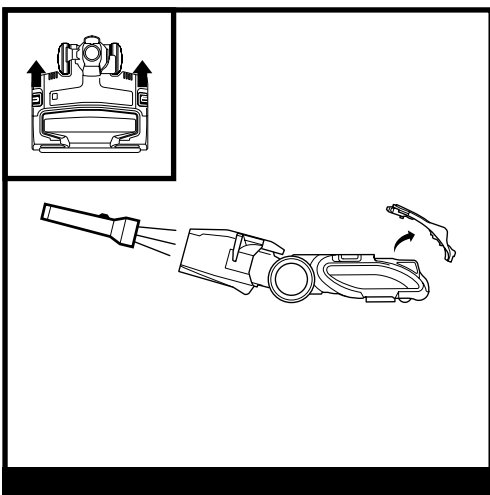
CONTROL DE OBSTRUCCIONES



Retire el vástago de la aspiradora portátil y verifique todas las aberturas de entrada del recipiente para el polvo.



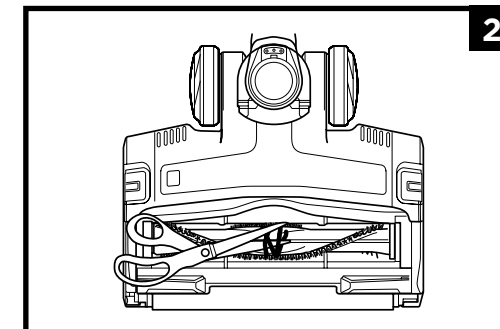
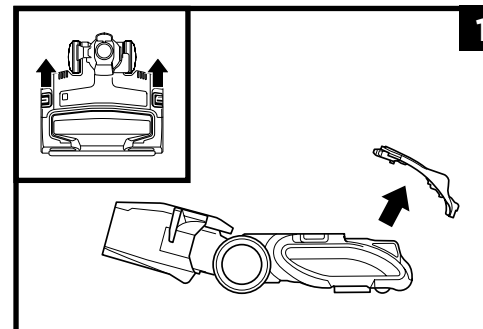
Separe el vástago y compruebe que no haya obstrucciones.



Separar el vástago. Para abrir el compartimiento del cepillo giratorio, deslice los dos botones de liberación en la boquilla de piso en dirección contraria a usted y hacia la parte posterior de la boquilla; luego, levante la tapa.

Incline hacia atrás el cuello de la boquilla y compruebe que no haya obstrucciones en las aberturas. Para cerrar el compartimiento del cepillo giratorio, inserte las tres pestañas en la parte superior de la tapa en las tres ranuras de la boquilla, luego empuje firmemente hacia abajo en ambos lados de la tapa hasta que quede trabada de manera segura en su lugar con un clic.

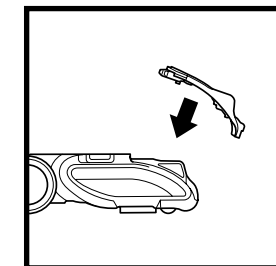
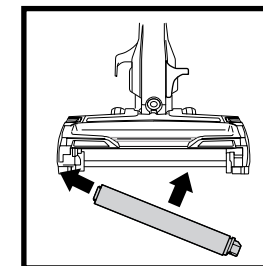
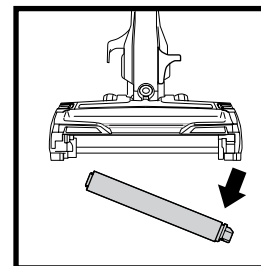
MANTENIMIENTO DE LA BOQUILLA



CÓMO LIMPIAR LOS CEPILLOS GIRATORIOS

- 1 Para abrir el compartimiento del cepillo giratorio, deslice los dos botones de liberación en la boquilla de piso en dirección contraria a usted y hacia la parte posterior de la boquilla; luego, levante la tapa.
- 2 Retire cualquier objeto o residuo.
- 3 Para cerrar el compartimiento del cepillo giratorio, inserte las tres aletas en la parte superior de la tapa en las tres ranuras en la boquilla, luego empuje hacia abajo en ambos lados de la tapa hasta que quede trabada de manera segura en su lugar con un clic. **Si la luz indicadora del cepillo giratorio no está verde y los faros parpadean, verifique nuevamente si ambos lados de la tapa están asegurados en su lugar.**

NOTA: Si cualquier pelo se enrolla en el cepillo giratorio, siga limpiando con el modo **Carpet** (alfombra) sobre una superficie de piso descubierto, o una alfombra de pelo corto o tapete pequeño. Esto permitirá que la tecnología Zero-M elimine el pelo enrollado y lo envíe al recipiente para el polvo. Si quedan enrolladas algunas fibras en el cepillo giratorio después del uso continuo, quítelas cuidadosamente.



CÓMO LIMPIAR EL RODILLO SUAVE

- 1 Para sacar el rodillo suave de la boquilla, primero abra el compartimiento del cepillo giratorio, luego tire del rodillo suave hacia afuera por la pestaña.
- 2 Golpee ligeramente para aflojar la suciedad del rodillo suave. Use una toalla seca para limpiar el rodillo suave y para eliminar cualquier residuo enganchado en los dientes ubicados detrás del rodillo suave.
- 3 Lave el rodillo suave a mano según sea necesario. Utilice agua únicamente y deje secar por completo durante, al menos, 24 horas.
- 4 Vuelva a insertar el rodillo suave y cierre el compartimiento del cepillo giratorio insertando las tres pestañas de la parte superior de la tapa en las tres ranuras de la boquilla. Luego empuje hacia abajo en ambos lados de la tapa hasta que quede trabada de manera segura en su lugar con un clic. Si la luz indicadora del cepillo giratorio no está verde y los faros parpadean, verifique nuevamente si ambos lados de la tapa están asegurados en su lugar.

NOTA: Con un uso normal, es posible que deba realizar un mantenimiento rutinario del rodillo suave.

La aspiradora no recoge la basura. No hay succión ni succión leve. (Para obtener más información, consulte la sección Mantenimiento.)

- Revise los filtros para verificar si necesitan limpieza. Siga las instrucciones para enjuagar y secar al aire por completo los filtros antes de volver a colocarlos en la aspiradora.
- El recipiente para el polvo puede estar lleno; vacíe el recipiente para el polvo.
- Compruebe que la boquilla de piso no esté obstruida; despeje las obstrucciones en caso necesario.
- Elimine cualquier hilo, fibra de alfombra o cabello que pudiera estar enredado alrededor del cepillo giratorio o del rodillo suave.
- Asegúrese de que el compartimiento del cepillo giratorio esté cerrado de manera adecuada empujando hacia abajo ambos lados de la tapa hasta que se trabe con un clic.

La aspiradora levanta los tapetes pequeños.

- La succión es potente. Tenga cuidado cuando pase la aspiradora por tapetes pequeños o alfombras con bordes de costuras delicadas.
- Apague la unidad para desconectar los cepillos giratorios. Para volver a encender, deslice el interruptor a la configuración I, Piso descubierto/tapetes pequeños.

Los cepillos giratorios no giran.

- Si la luz indicadora del cepillo giratorio se torna roja, inmediatamente apague la aspiradora y desenchúfela. Desconecte el vástago de la boquilla de piso y remueva cualquier obstrucción. Reconecte el vástago, enchufe la aspiradora y enciéndala.
- Si la luz indicadora del cepillo giratorio en la boquilla de piso es verde, es señal de que la obstrucción se ha solucionado correctamente. Si la luz sigue roja, comuníquese con el servicio al cliente llamando al 1-800-798-7398.

La aspiradora se apaga sola o si la luz indicadora titila en rojo.

Esta aspiradora cuenta con un termostato que protege el motor que hace que la unidad se apague en caso de sobrecalentamiento. Si esto sucediera, lleve a cabo los siguientes pasos para reiniciar el termostato que protege el motor:

1. Apague la aspiradora y desenchúfela.
2. Vacíe el recipiente para el polvo y limpie los filtros (consulte la sección Mantenimiento).
3. Revise que no haya obstrucciones en la manguera, en los accesorios y en las aberturas de entrada.
4. Deje que la unidad se enfríe durante 45 minutos como mínimo.
5. Enchufe y encienda la aspiradora.

Para el resto de los problemas, visite sharkclean.com/support.

La garantía limitada de cinco (5) años se aplica a las compras realizadas a los vendedores minoristas autorizados de **SharkNinja Operating LLC**. La cobertura de garantía se aplica solo al propietario y al producto originales, y no puede transferirse.

SharkNinja garantiza que la unidad estará libre de defectos de materiales y de mano de obra durante un período de cinco (5) años desde la fecha de compra, siempre y cuando se use en condiciones domésticas normales y se efectúe su mantenimiento de acuerdo con los requisitos descritos en este manual del propietario, sujeto a las siguientes condiciones y exclusiones:

¿Qué cubre esta garantía?

1. La unidad original o los componentes que no se gastan que se consideren defectuosos, a criterio exclusivo de SharkNinja, se repararán o reemplazarán durante un período máximo de cinco (5) años desde la fecha de compra original.
2. En el caso de que se entregue una unidad de reemplazo, la cobertura de la garantía termina seis (6) meses después de la fecha de recepción de la unidad de reemplazo o cuando termine el plazo restante de la garantía vigente, lo que sea posterior. SharkNinja se reserva el derecho a reemplazar la unidad con una de igual o mayor valor.

¿Qué no cubre esta garantía?

1. Esta garantía no cubre el desgaste normal de las piezas que se gastan (como los filtros de espuma, los filtros HEPA, las almohadillas, etc.), que requieren mantenimiento o reemplazo regular para asegurar el funcionamiento adecuado de la unidad. Se pueden comprar piezas de repuesto en **sharkaccessories.com**.
2. Cualquier unidad que haya sido alterada o usada con fines comerciales.
3. Daños causados por el uso incorrecto (p. ej., aspirar agua u otros líquidos), abuso, manipulación negligente, falta de mantenimiento necesario (p. ej., no limpiar los filtros) o daños debidos al mal trato durante el transporte.
4. Daños emergentes o incidentales.
5. Defectos causados por personas que hacen reparaciones y no estén autorizadas por SharkNinja. Estos defectos incluyen daños causados en el proceso de envío, modificación o reparación del producto SharkNinja (o cualquiera de sus piezas) cuando la reparación es realizada por una persona que no está autorizada por SharkNinja.
6. Productos comprados, usados u operados fuera de Norteamérica.

Cómo solicitar el servicio técnico

Si su aparato no funciona adecuadamente cuando se usa en condiciones domésticas normales dentro del período de garantía, visite **sharkclean.com** para obtener instrucciones de cuidado y mantenimiento del producto que usted mismo pueda llevar a cabo. Nuestros especialistas de servicio al cliente también están a su disposición si llama al **1-800-798-7398** para asistirlo con todas las opciones de servicio de garantía y soporte del producto, incluida la posibilidad de mejorar su garantía a nuestras opciones de servicio de garantía VIP para categorías de productos exclusivos.

SharkNinja cubrirá el costo de envío de la unidad por parte del cliente para ser reparada o reemplazada. Se cobrará una tarifa de 24,95 USD (sujeto a cambios) cuando SharkNinja envíe la unidad reparada o el reemplazo.

Cómo iniciar un reclamo de garantía


Debe llamar al **1-800-798-7398** para iniciar un reclamo de garantía. Necesitará el recibo como prueba de compra.


Un especialista de servicio al cliente le proporcionará instrucciones para la devolución y el embalaje.

Cómo se aplica la ley estatal

Esta garantía le otorga derechos legales específicos, y usted también puede tener otros derechos que varían según el estado. Algunos estados no permiten la exclusión o la limitación de los daños incidentales o emergentes, por lo que lo anterior puede no aplicarse en su caso.

REGISTRE SU COMPRA

 registeryourshark.com

 Escanee el código QR con un dispositivo móvil



REGISTRE ESTA INFORMACIÓN

Número de modelo: _____

Código de fecha: _____

Fecha de compra: _____
(conservar el recibo)

Tienda de compra: _____

ESPECIFICACIONES TÉCNICAS

Voltaje: 120 V, 60 Hz

Vatios: 600 vatios

Amperios: 5 A

Beneficios de registrar su producto y crear una cuenta:

- Obtenga un servicio de asistencia para el producto más fácil y rápido
- Acceda a instrucciones para la solución de problemas y cuidado de su producto
- Sea uno de los primeros en recibir promociones de productos exclusivos

CONSEJO: El número de modelo se encuentra en la etiqueta que indica las características, detrás del recipiente para el polvo.

CONSEJO: El código de fecha se ubica en una de las clavijas del enchufe del cable de alimentación.

PLEASE READ CAREFULLY AND KEEP FOR FUTURE REFERENCE.

This Owner's Guide is designed to help you get a complete understanding of your new Shark® APEX® DuoClean® with Zero-M® Corded Stick Vac.

SharkNinja Operating LLC
US: Needham, MA 02494
CAN: Ville St-Laurent, QC H4S 1A7
1-800-798-7398
sharkclean.com

Illustrations may differ from actual product. We are constantly striving to improve our products; therefore the specifications contained herein are subject to change without notice.

For SharkNinja U.S. Patent information, visit sharkninja.com/uspatents

VEUILLEZ LIRE ATTENTIVEMENT LE PRÉSENT MODE D'EMPLOI ET LE CONSERVER À TITRE INFORMATIF.

Le présent guide de l'utilisateur a été conçu pour vous aider à acquérir une compréhension approfondie de votre nouvel aspirateur Shark APEX DuoClean avec fil Zero-M.

SharkNinja Operating LLC
États-Unis : Needham, MA 02494
Canada : Saint-Laurent (Québec) H4S 1A7
1 800 798-7398
sharkclean.com

Les illustrations peuvent différer du produit réel. Nous tentons constamment d'améliorer nos produits; par conséquent, les caractéristiques indiquées dans le présent guide peuvent être modifiées sans préavis.

Pour obtenir de l'information au sujet des brevets de SharkNinja aux États-Unis, consultez le site suivant : www.sharkninja.com/USPatents.

LEA ESTAS INSTRUCCIONES DETENIDAMENTE Y CONSÉRVELAS PARA REFERENCIA FUTURA.

Este Manual del propietario está diseñado para ayudarlo a comprender en profundidad su nueva Shark APEX DuoClean with Zero-M Corded Stick Vac.

SharkNinja Operating LLC
EE. UU.: Needham, MA 02494
CAN: Ville St-Laurent, QC H4S 1A7
1-800-798-7398
sharkclean.com

Las ilustraciones pueden diferir del producto real. Nos esforzamos constantemente por mejorar nuestros productos, por lo que las especificaciones que se incluyen en el presente pueden cambiar sin previo aviso.

Para obtener información sobre las patentes de SharkNinja en los EE. UU., visite sharkninja.com/uspatents

© 2019 SharkNinja Operating LLC. APEX, DUOCLEAN, and SHARK are registered trademarks of SharkNinja Operating LLC. ZERO-M is a trademark of SharkNinja Operating LLC.

ZS360_Series_IB_EN_FR_SP_MP_Mv3
PRINTED IN CHINA

© SharkNinja Operating LLC, 2019. APEX, DUOCLEAN et SHARK sont des marques de commerce déposées de SharkNinja Operating LLC. ZERO-M est une marque de commerce de SharkNinja Operating LLC.

ZS360_Series_IB_EN_FR_SP_MP_Mv3
IMPRIMÉ EN CHINE

© 2019 SharkNinja Operating LLC. APEX, DUOCLEAN y SHARK son marcas comerciales registradas de SharkNinja Operating LLC. ZERO-M es una marca comercial de SharkNinja Operating LLC.

ZS360_Series_IB_EN_FR_SP_MP_Mv3
IMPRESO EN CHINA



@sharkcleaning